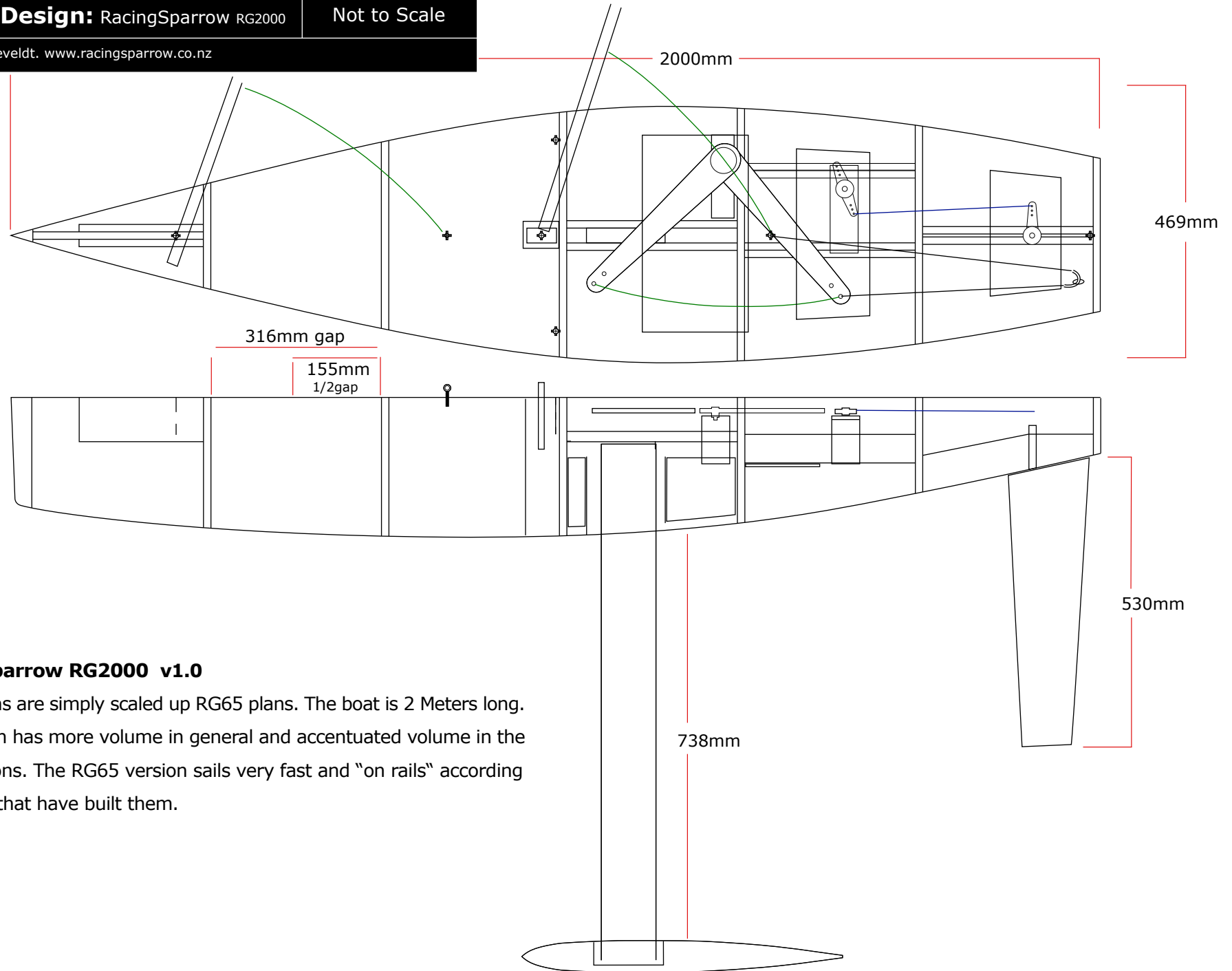


**Boat Design:** RacingSparrow RG2000

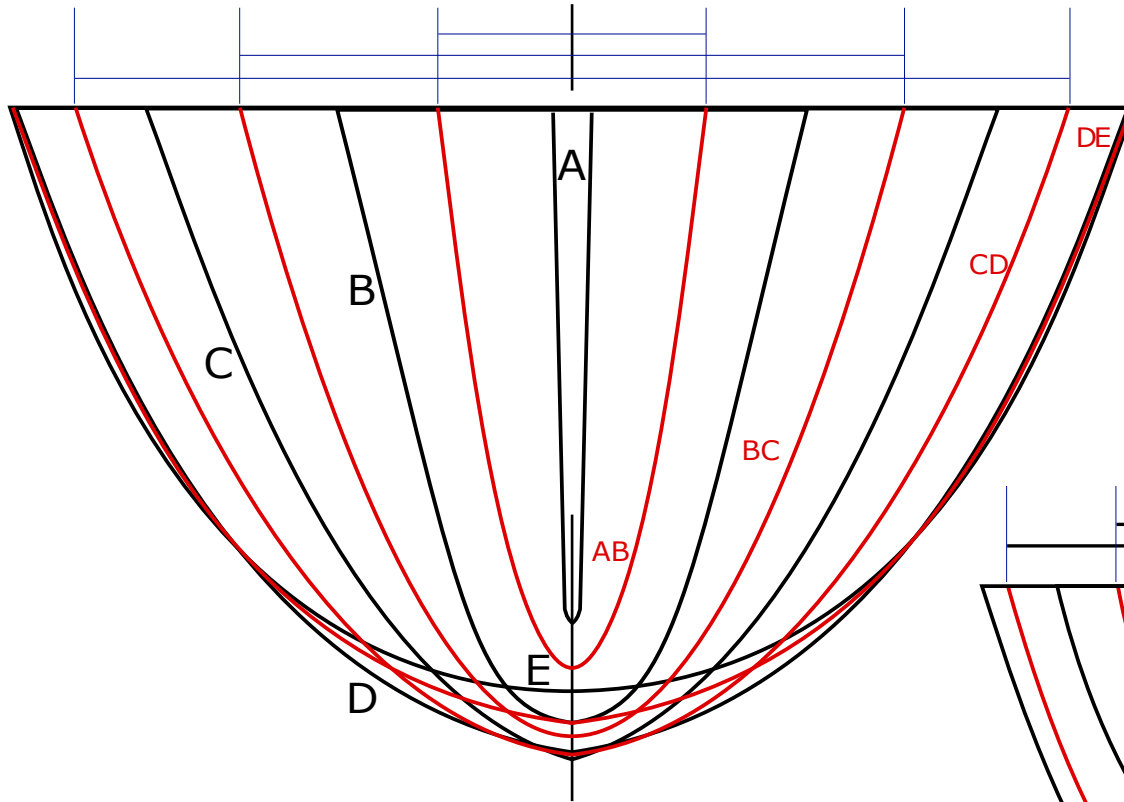
Not to Scale

©Bryn Heveldt. [www.racingsparrow.co.nz](http://www.racingsparrow.co.nz)



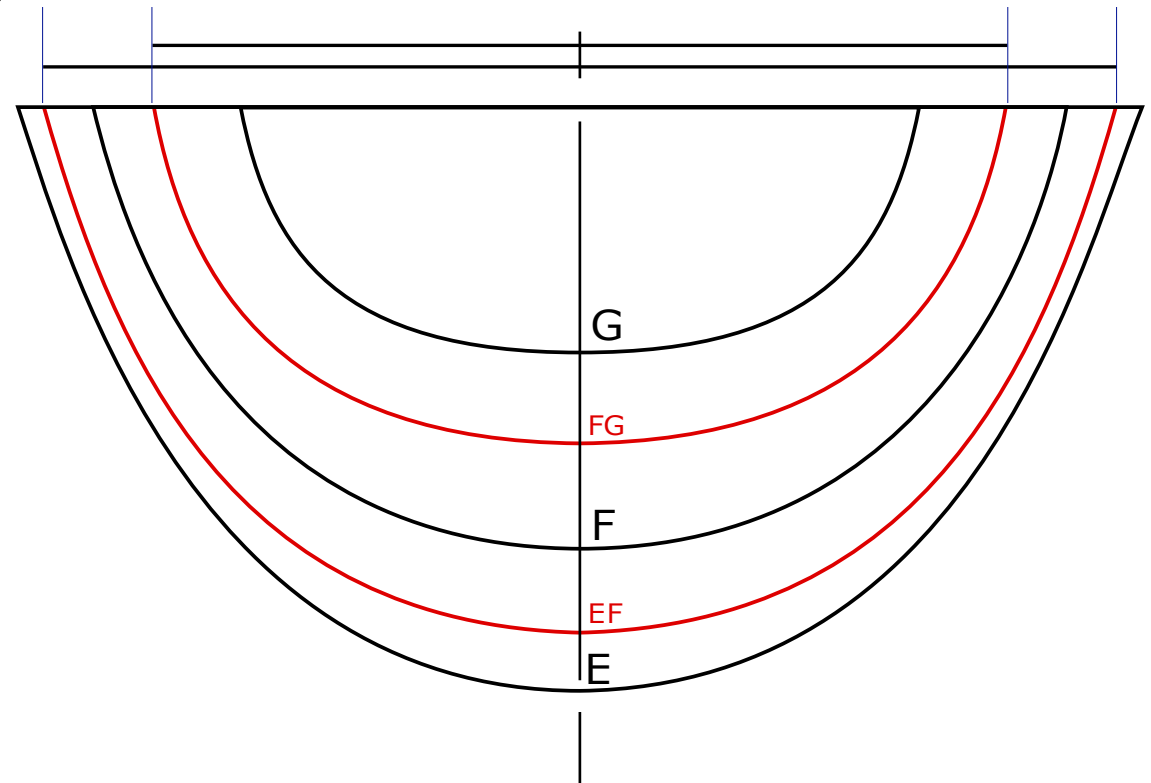
**RacingSparrow RG2000 v1.0**

These plans are simply scaled up RG65 plans. The boat is 2 Meters long. This design has more volume in general and accentuated volume in the bow sections. The RG65 version sails very fast and "on rails" according to people that have built them.

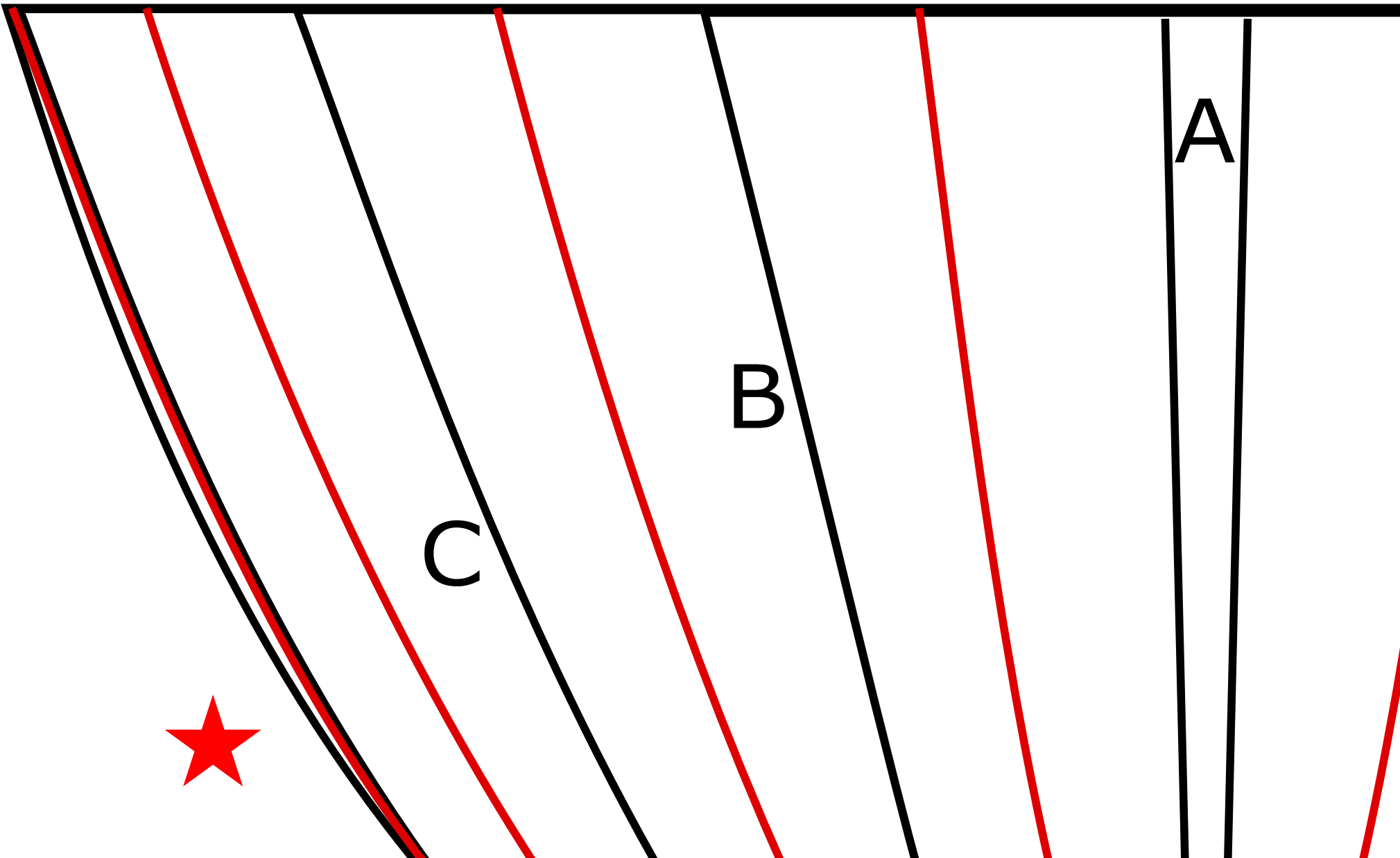


**RacingSparrow RG2000 v1.0**

The black lines are the standard main bulkheads. The red lines are the secondary bulkheads if required. These are not to scale, but they show you what the plans should look like once you print them out and match up the stars and line work.



When these plans are printed the box around this text should measure 100x20mm. If it doesn't try altering the print settings and scale the printing to 102% for example.

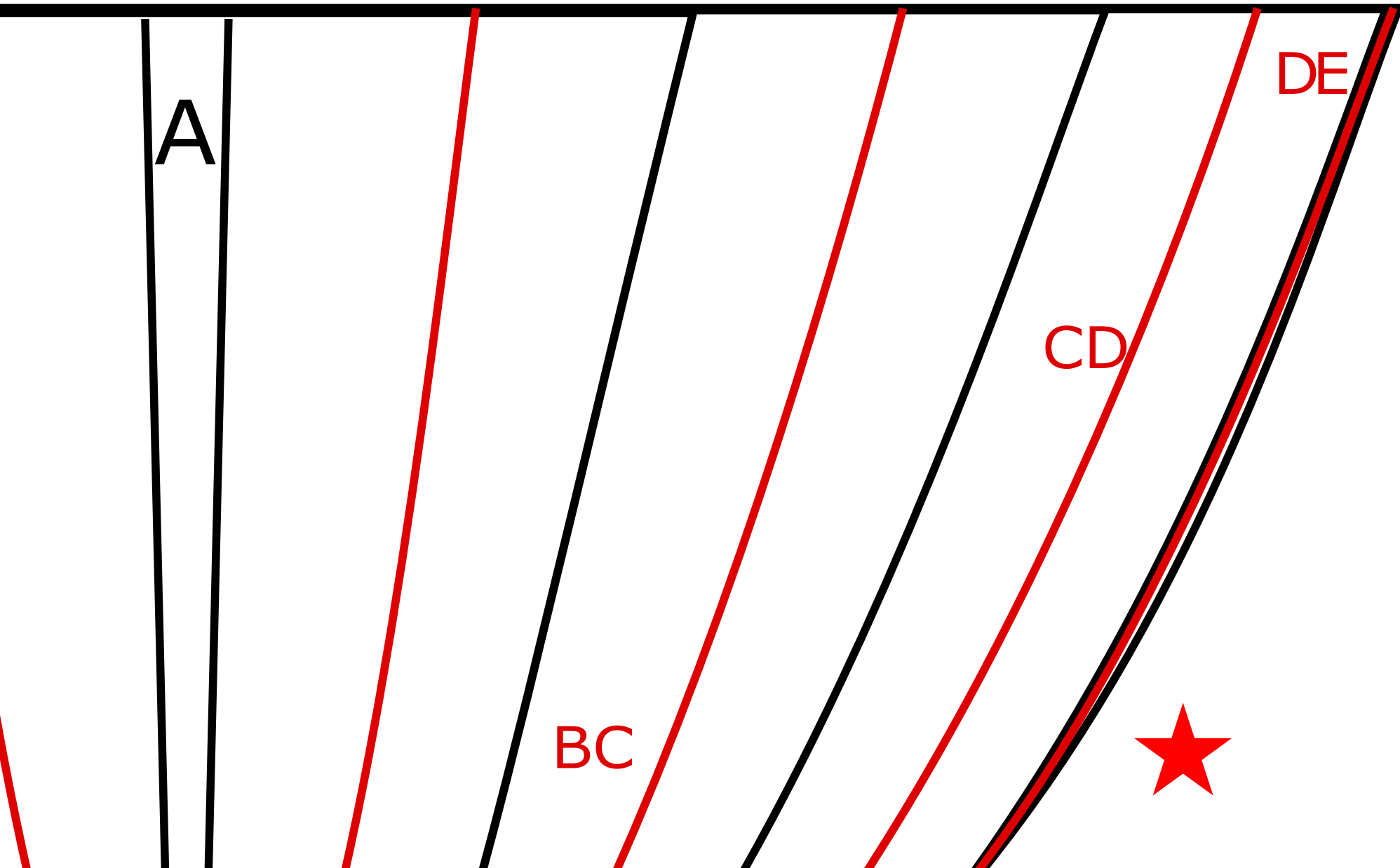


A

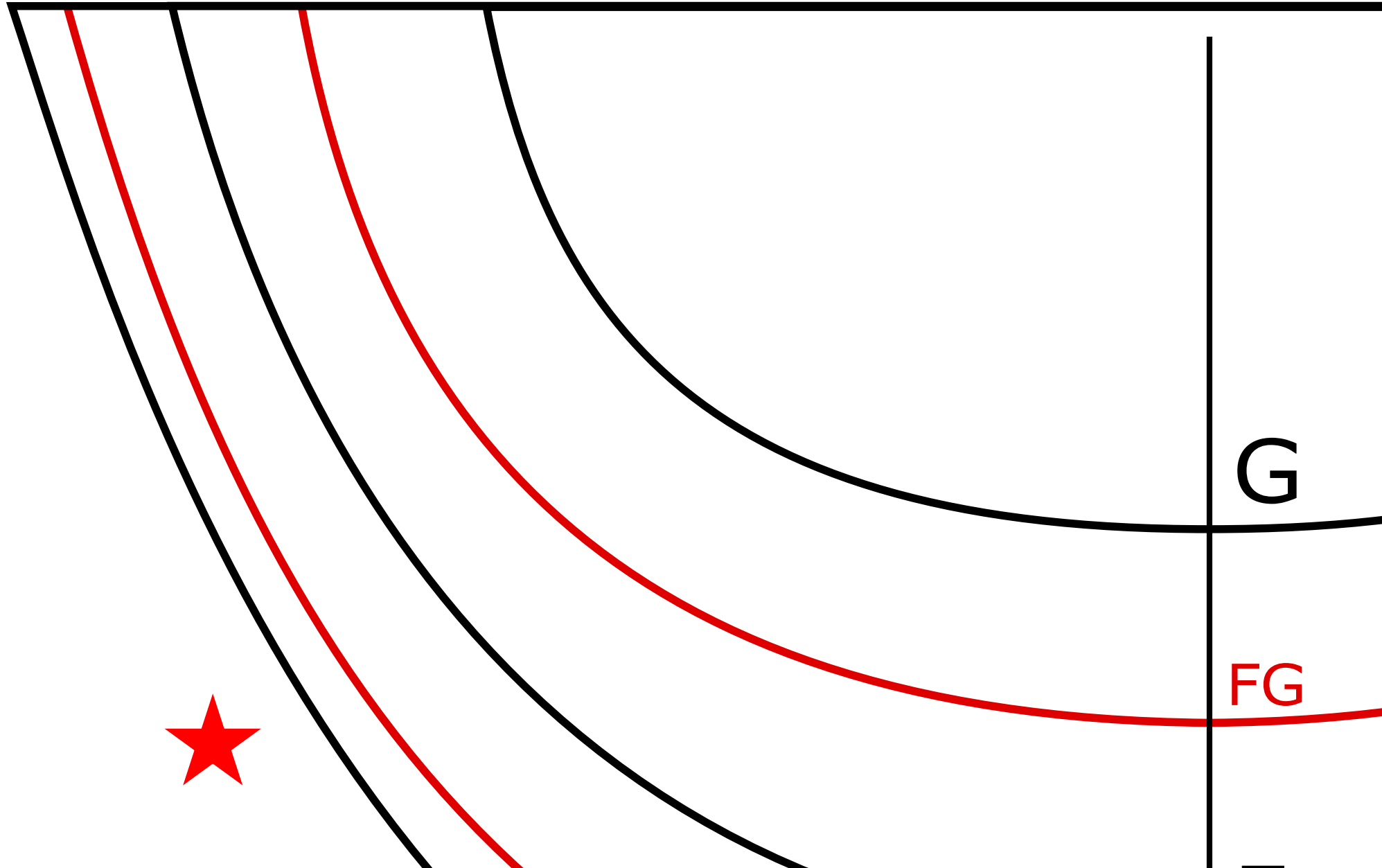
B

C

When these plans are printed the box around this text should measure 100x20mm. If it doesn't try altering the print settings and scale the printing to 102% for example.



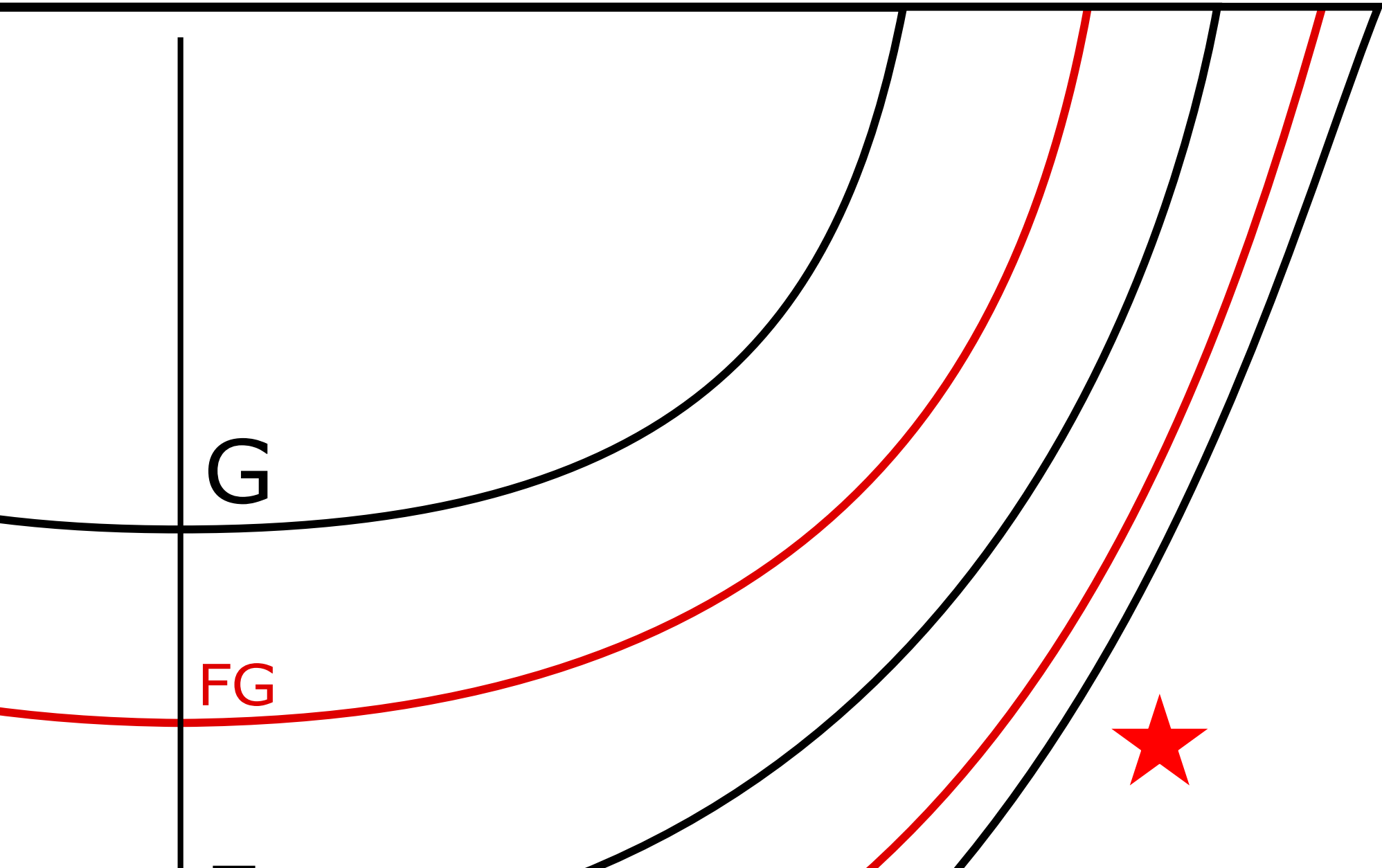
When these plans are printed the box around this text should measure 100x20mm. If it doesn't try altering the print settings and scale the printing to 102% for example.

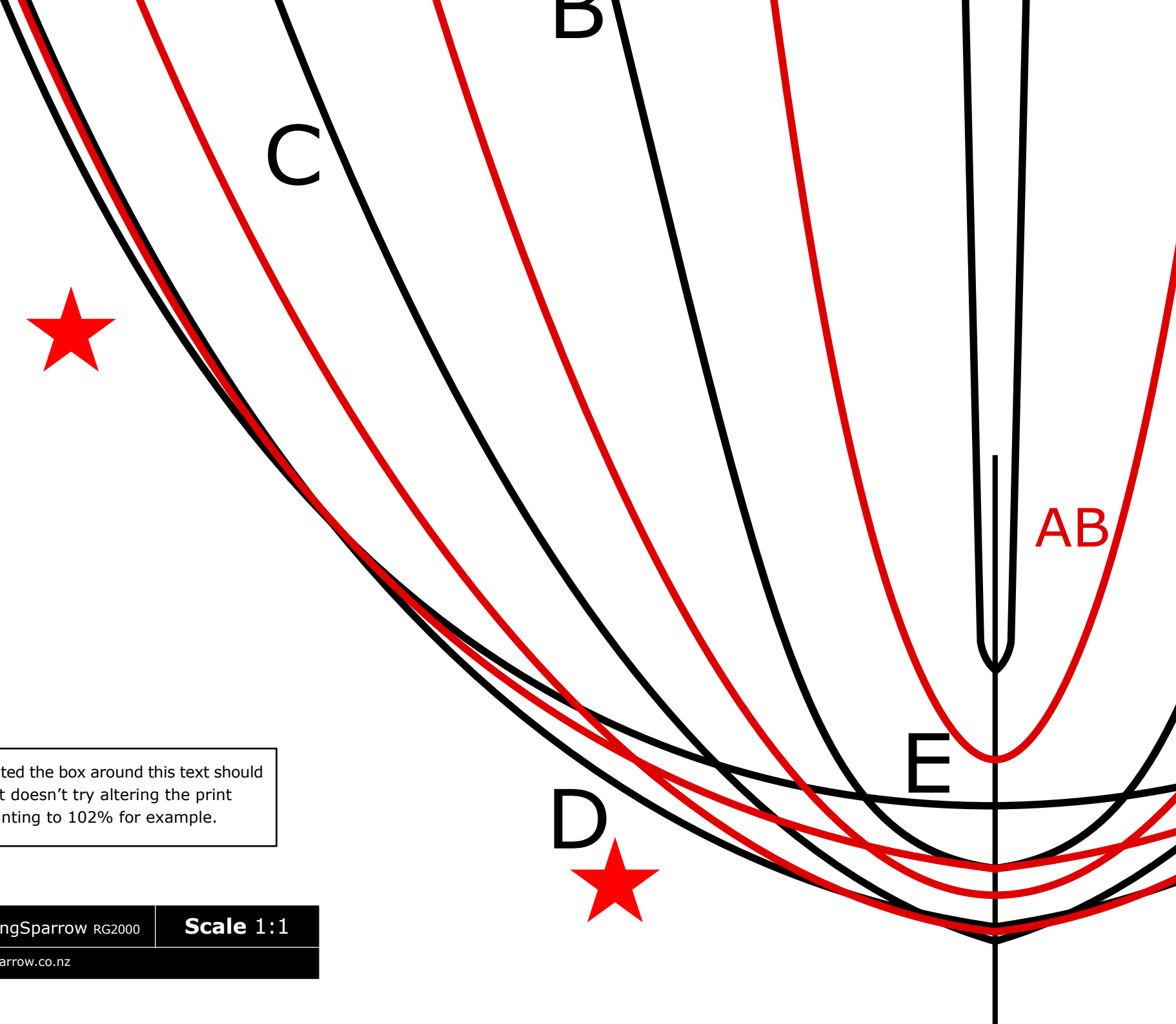


G

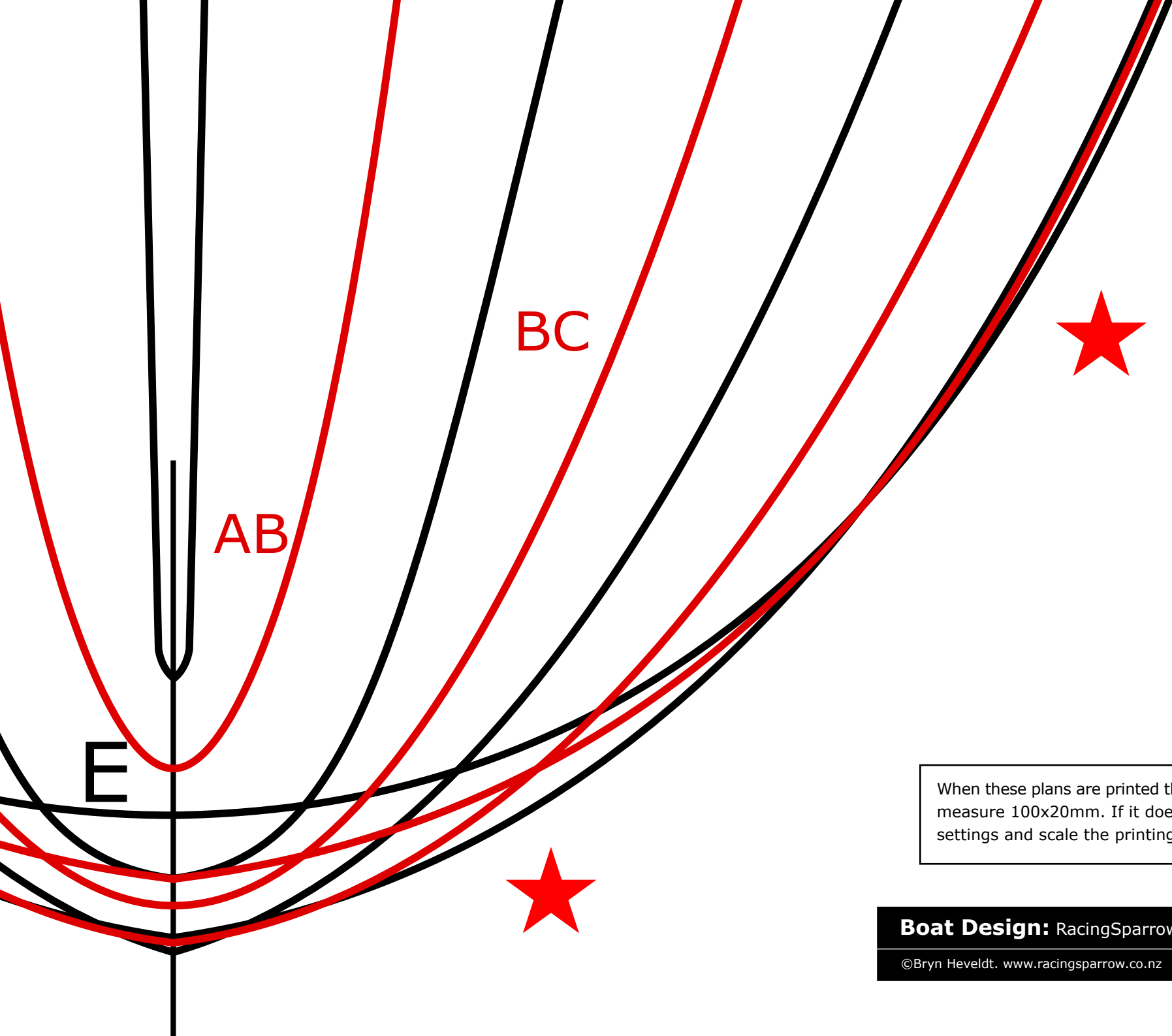
FG

When these plans are printed the box around this text should measure 100x20mm. If it doesn't try altering the print settings and scale the printing to 102% for example.



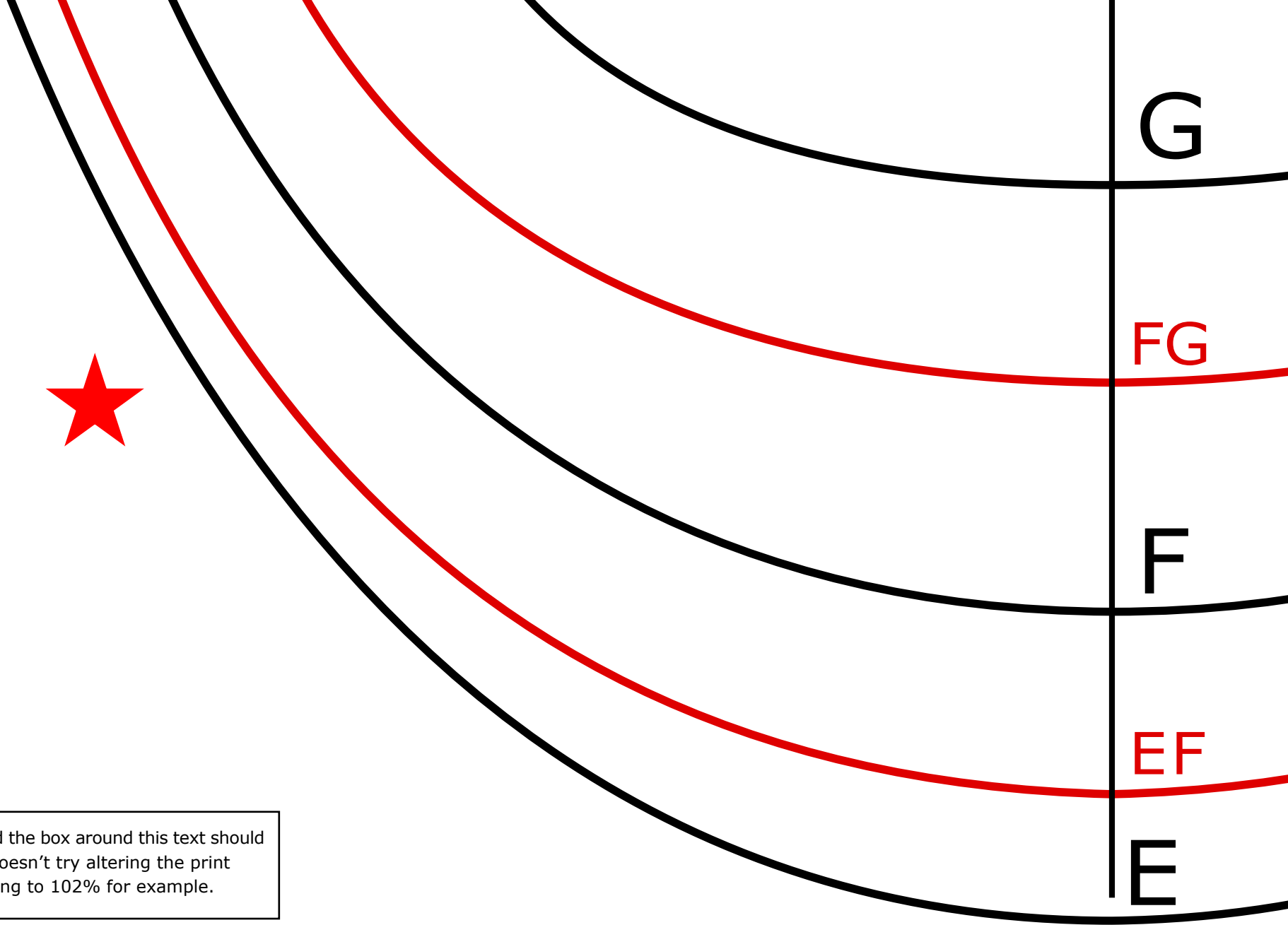


When these plans are printed the box around this text should measure 100x20mm. If it doesn't try altering the print settings and scale the printing to 102% for example.



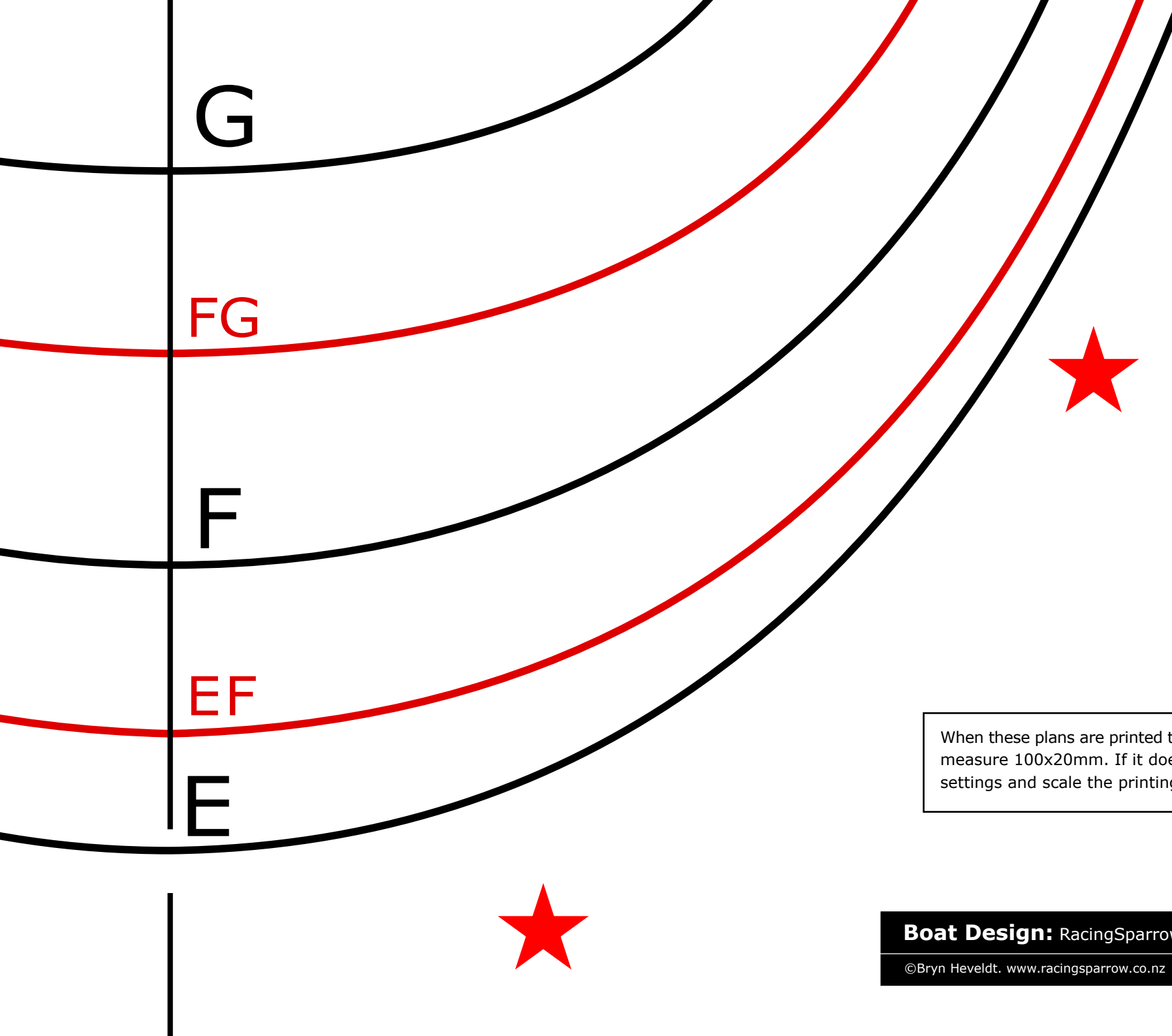
When these plans are printed the box around this text should measure 100x20mm. If it doesn't try altering the print settings and scale the printing to 102% for example.





When these plans are printed the box around this text should measure 100x20mm. If it doesn't try altering the print settings and scale the printing to 102% for example.





G

FG

F

EF

E



When these plans are printed the box around this text should measure 100x20mm. If it doesn't try altering the print settings and scale the printing to 102% for example.