

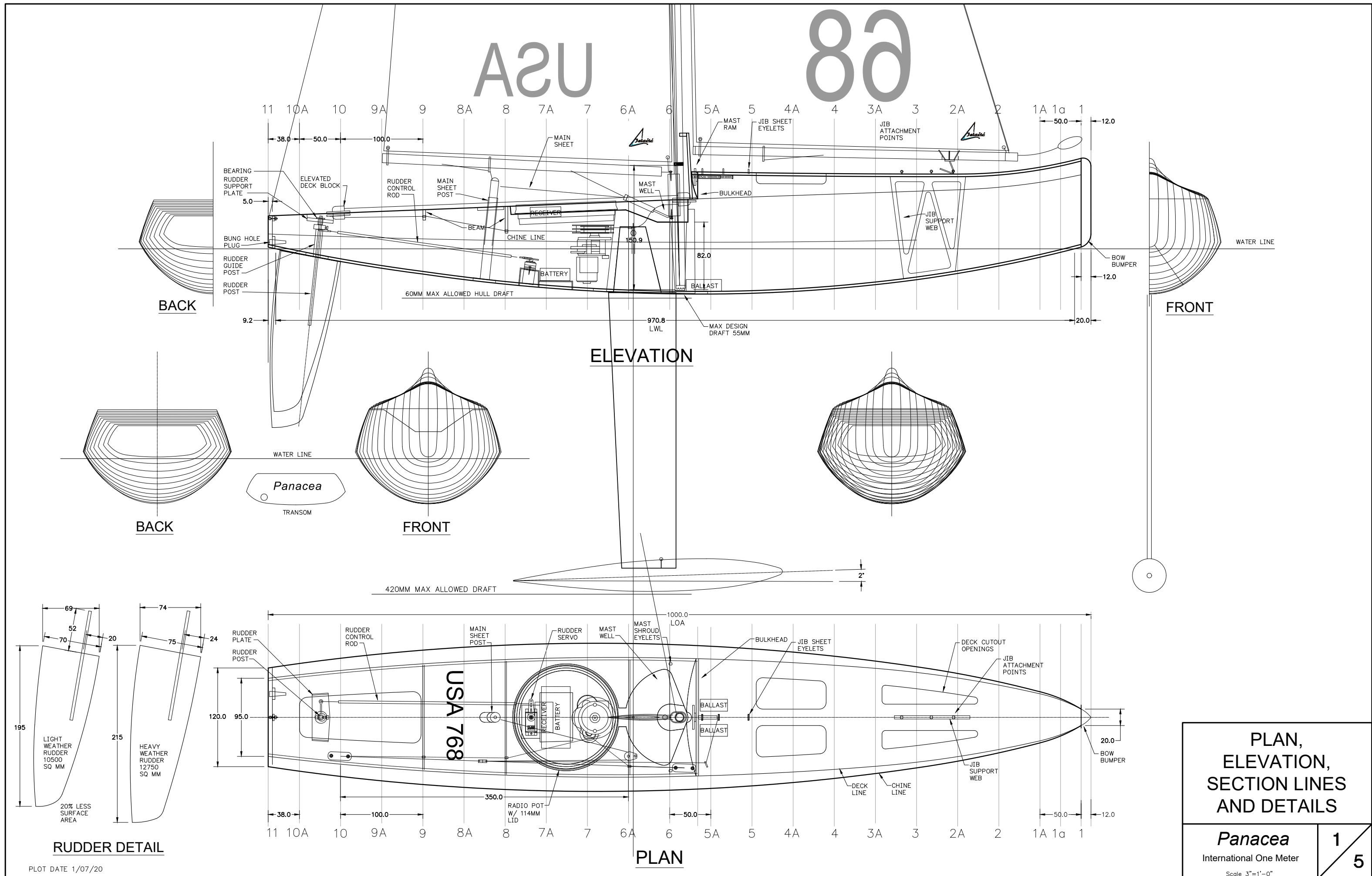
STERN

BOW

Panacea IOM

1/8 SCALE

USA 964

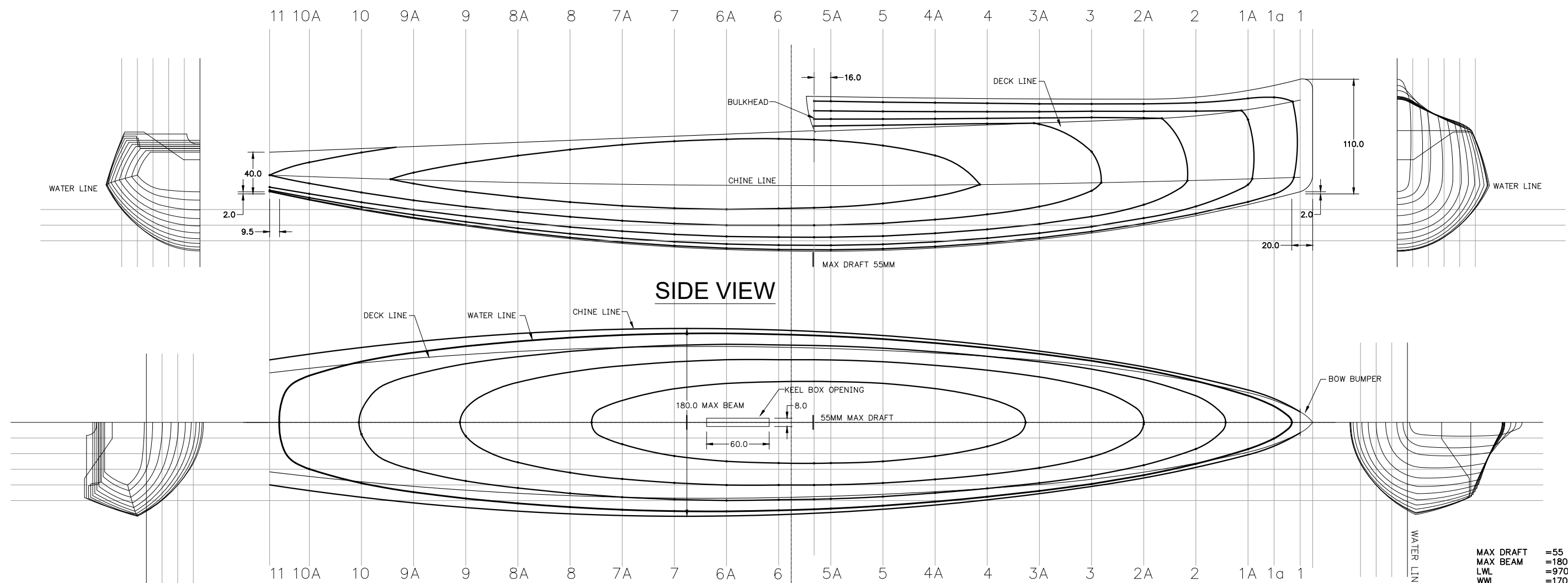


**PLAN,
ELEVATION,
SECTION LINES
AND DETAILS**

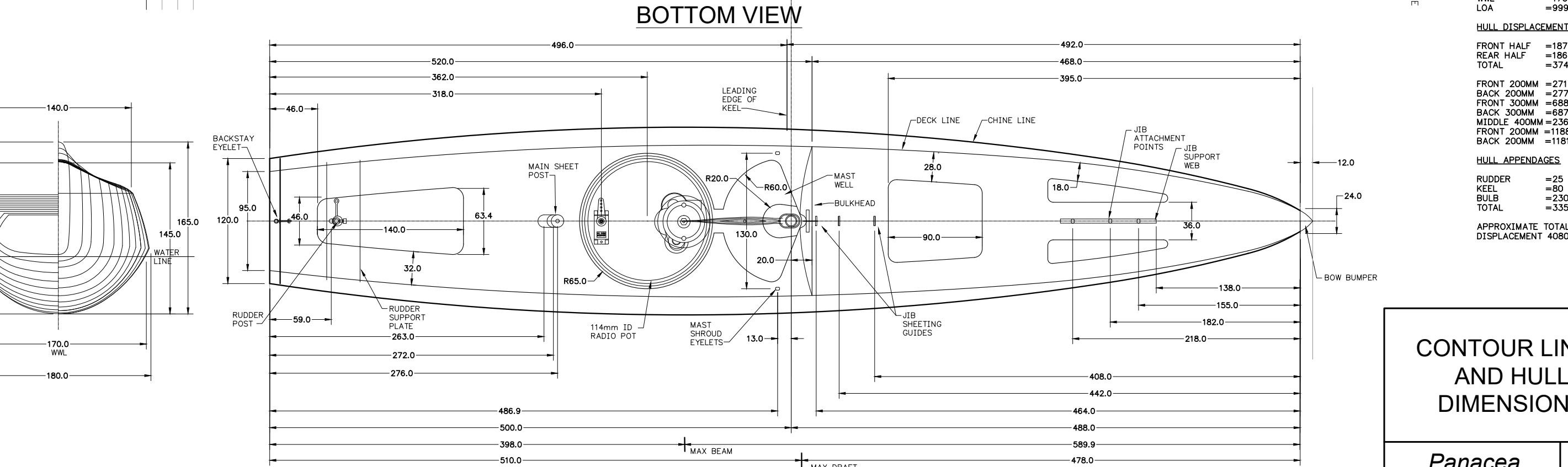
Panacea
International One Meter

1
5

Scale 3"=1'-0"



SIDE VIEW



BOTTOM VIEW

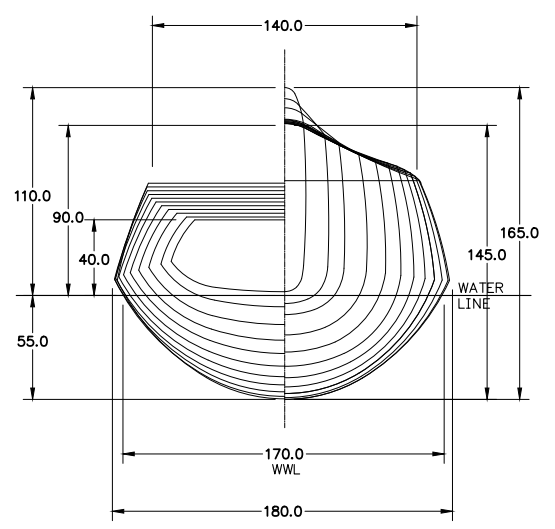
MAX DRAFT	=55 mm
MAX BEAM	=180 mm
LWL	=970 mm
WVL	=170 mm
LOA	=999.9 mm

HULL DISPLACEMENT	
FRONT HALF	=1876.55 cc
REAR HALF	=1868.35 cc
TOTAL	=3744.90 cc

FRONT 200MM	=271.05 cc
BACK 200MM	=277.35 cc
FRONT 300MM	=688.05 cc
BACK 300MM	=687.05 cc
MIDDLE 400MM	=2369.80 cc
FRONT 200MM	=1188.50 cc
BACK 200MM	=1181.30 cc

HULL APPENDAGES	
RUDDER	=25 cc
KEEL	=80 cc
BULB	=230 cc
TOTAL	=335 cc±

APPROXIMATE TOTAL DESIGN DISPLACEMENT 4080 cc±



PLAN DIMENSIONS

CONTOUR LINES AND HULL DIMENSIONS

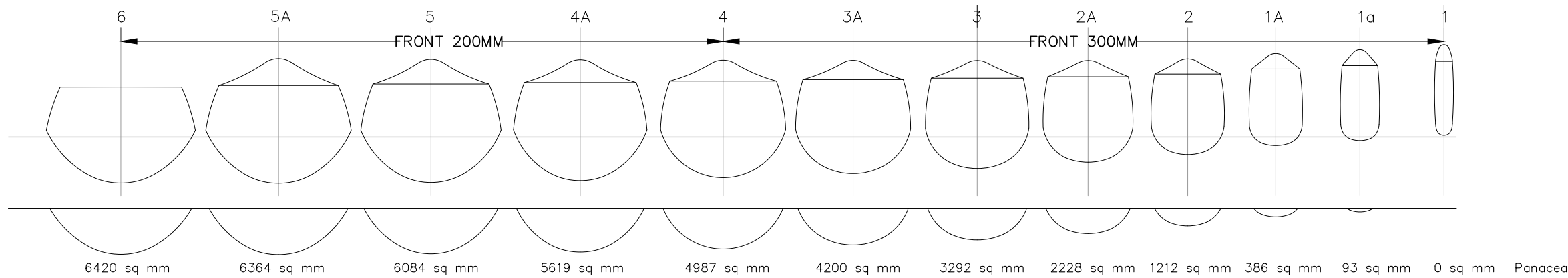
Panacea

International One Meter

Scale 3"=1'-0"

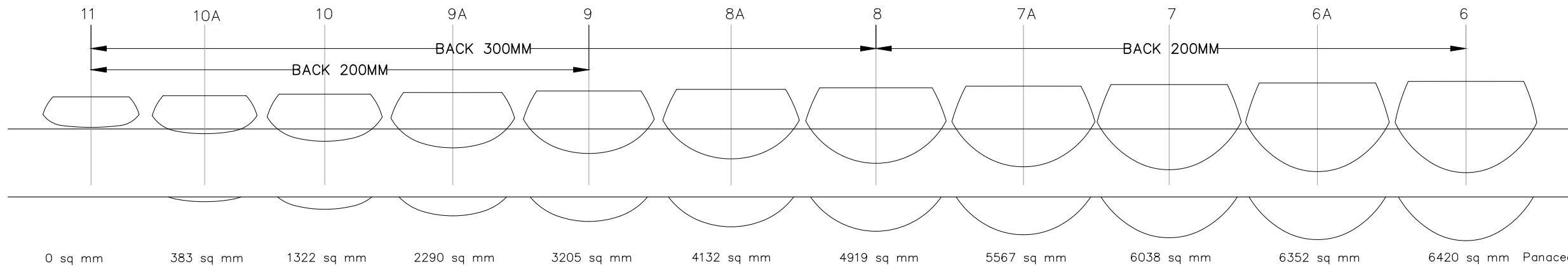
2

5



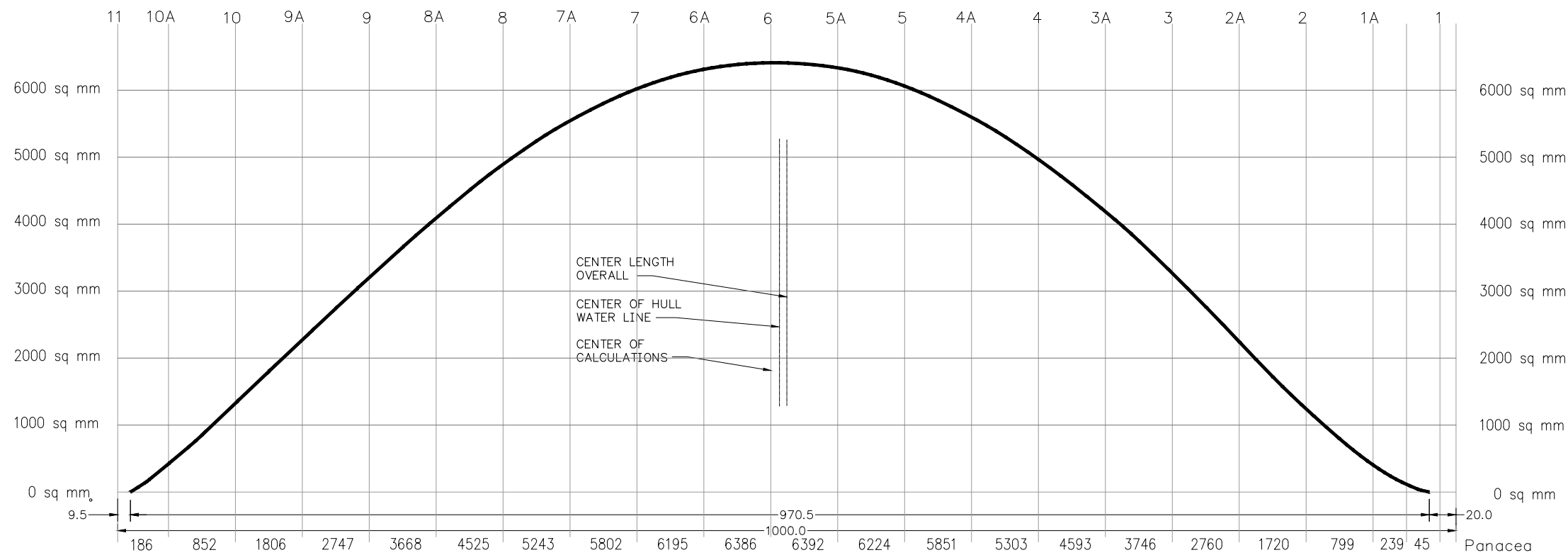
6392 sq mm x 50 319.60 cc	6224 sq mm x 50 311.20 cc	5851 sq mm x 50 292.55 cc	5303 sq mm x 50 265.15 cc	45931 sq mm x 50 229.65 cc	3746 sq mm x 50 187.35 cc	2760 sq mm x 50 138.00 cc	1720 sq mm x 50 86.00 cc	799 sq mm x 50 39.95 cc	239 sq mm x 25 5.95 cc	45 sq mm x 25 1.15 cc	1876.55 cc
---------------------------------	---------------------------------	---------------------------------	---------------------------------	----------------------------------	---------------------------------	---------------------------------	--------------------------------	-------------------------------	------------------------------	-----------------------------	------------

FRONT END



186 sq mm x 38 7.05 cc	852 sq mm x 50 42.65 cc	1806 sq mm x 50 90.30 cc	2747 sq mm x 50 137.35 cc	3668 sq mm x 50 183.45 cc	4525 sq mm x 50 226.25 cc	5243 sq mm x 50 262.15 cc	5802 sq mm x 50 290.10 cc	6195 sq mm x 50 309.75 cc	6386 sq mm x 50 319.30 cc	1868.35 cc
------------------------------	-------------------------------	--------------------------------	---------------------------------	---------------------------------	---------------------------------	---------------------------------	---------------------------------	---------------------------------	---------------------------------	------------

BACK END



DISPLACEMENT DISTRIBUTION

Panacea 2

HULL DIMENSIONS

MAX DRAFT =55 mm
 MAX BEAM =180 mm
 LWL =970 mm
 WWL =170 mm
 LOA =999.9 mm

HULL DISPLACEMENT

FRONT HALF =1876.55 cc
 REAR HALF =1868.35 cc
 TOTAL =3744.90 cc

FRONT 200MM =271.05 cc
 BACK 200MM =277.35 cc
 FRONT 300MM =688.05 cc
 BACK 300MM =687.05 cc
 MIDDLE 400MM =2369.80 cc
 FRONT 200MM =1188.50 cc
 BACK 200MM =1181.30 cc

HULL APPENDAGES

RUDDER =25 cc
 KEEL =80 cc
 BULB =230 cc
 TOTAL =335 cc±

APPROXIMATE TOTAL DESIGN DISPLACEMENT 4080 cc±

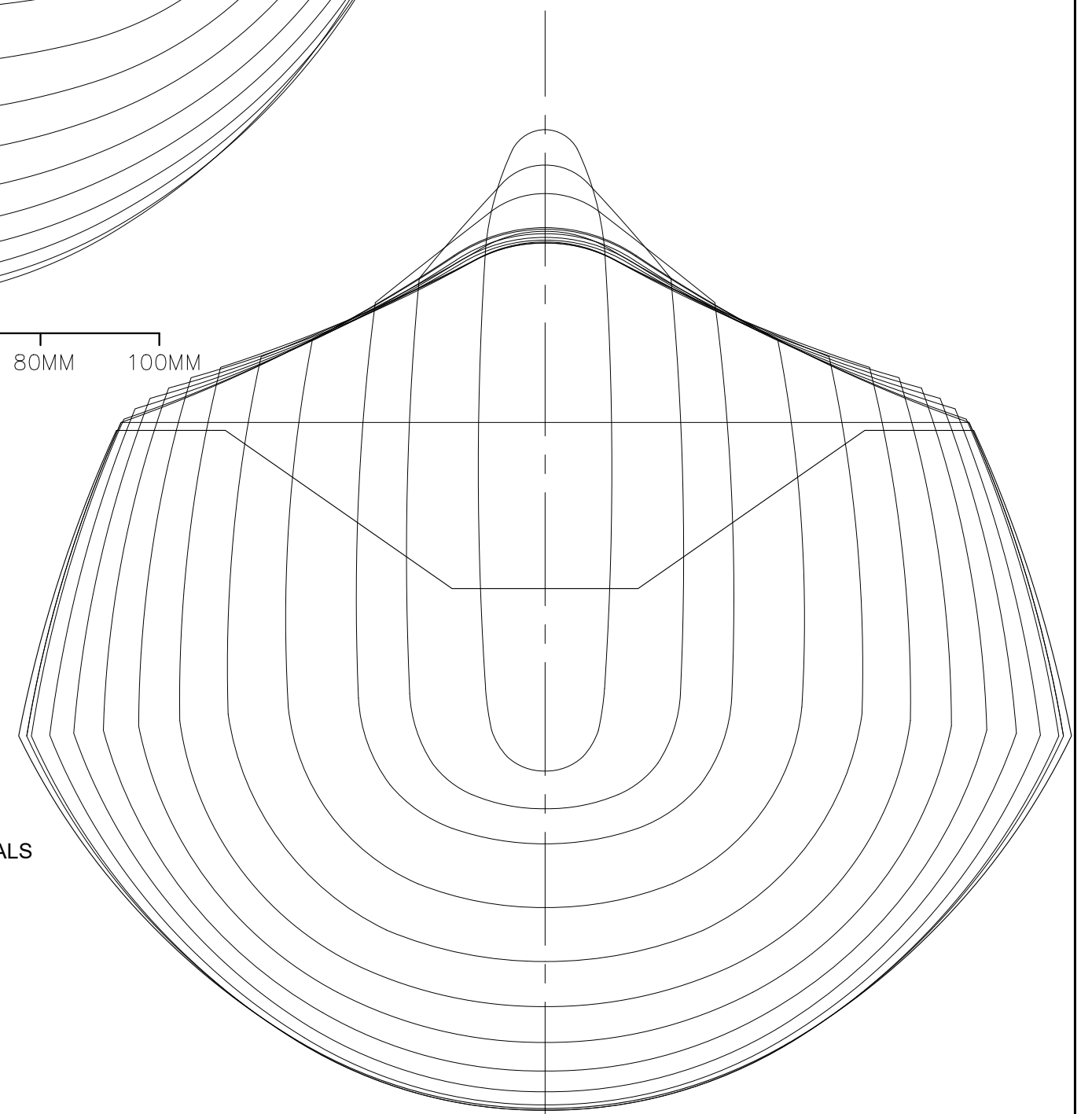
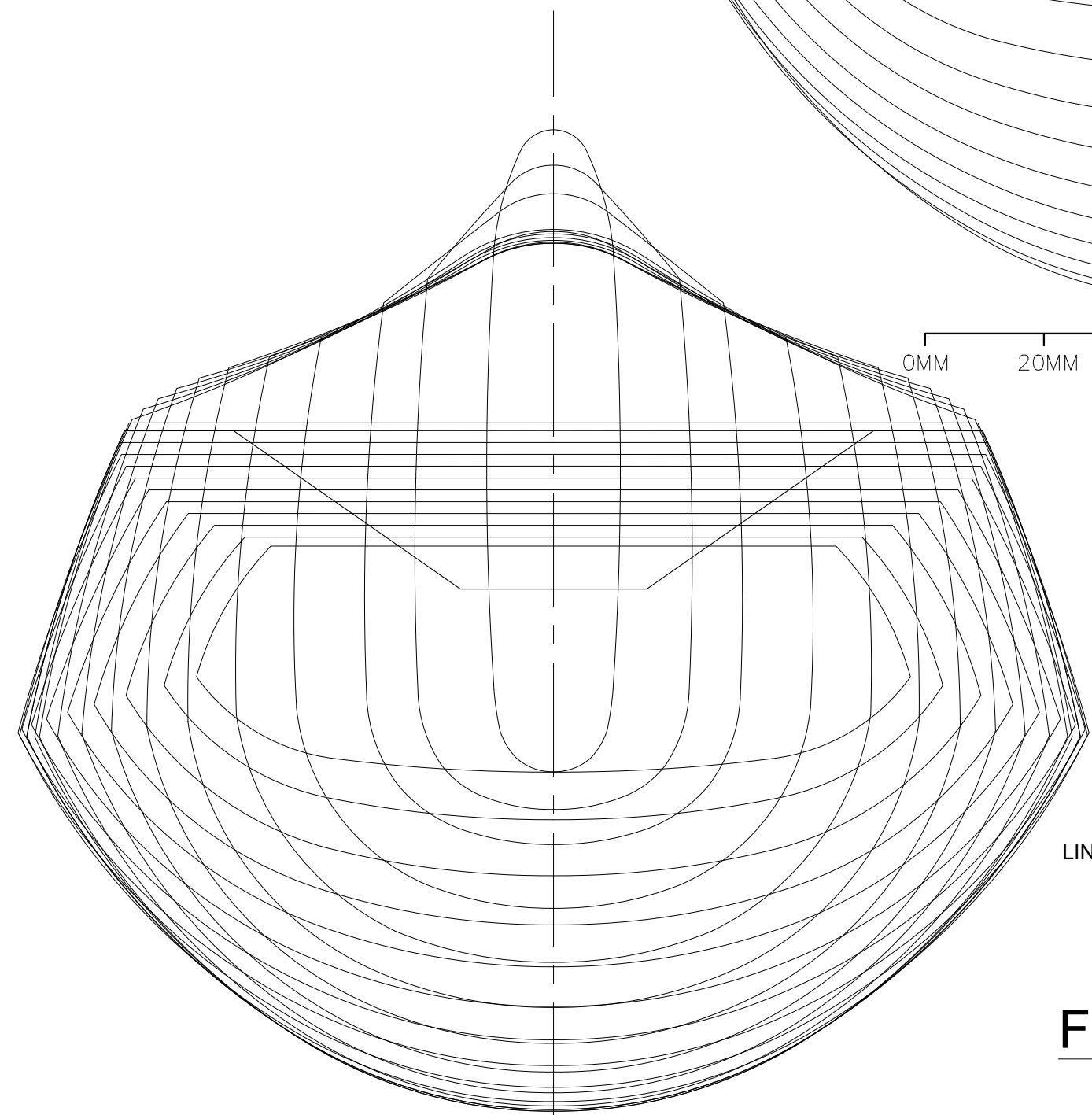
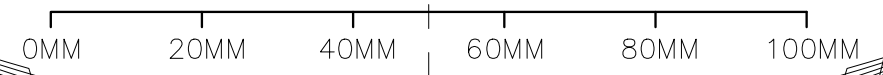
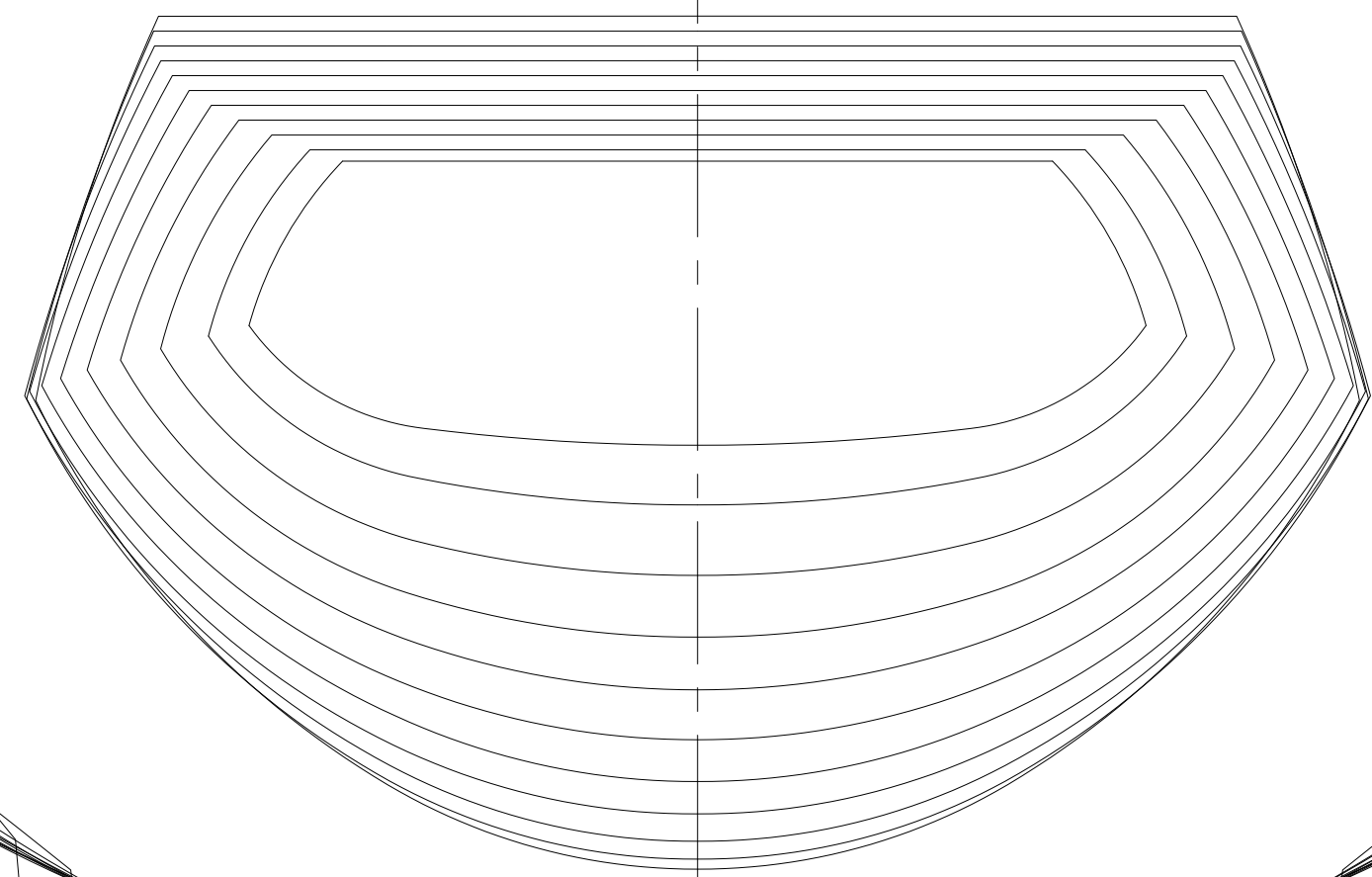
HULL DISPLACEMENT CALCULATIONS AND DISTRIBUTION

Panacea
 International One Meter
 NTS

FULL SIZE HULL LINES

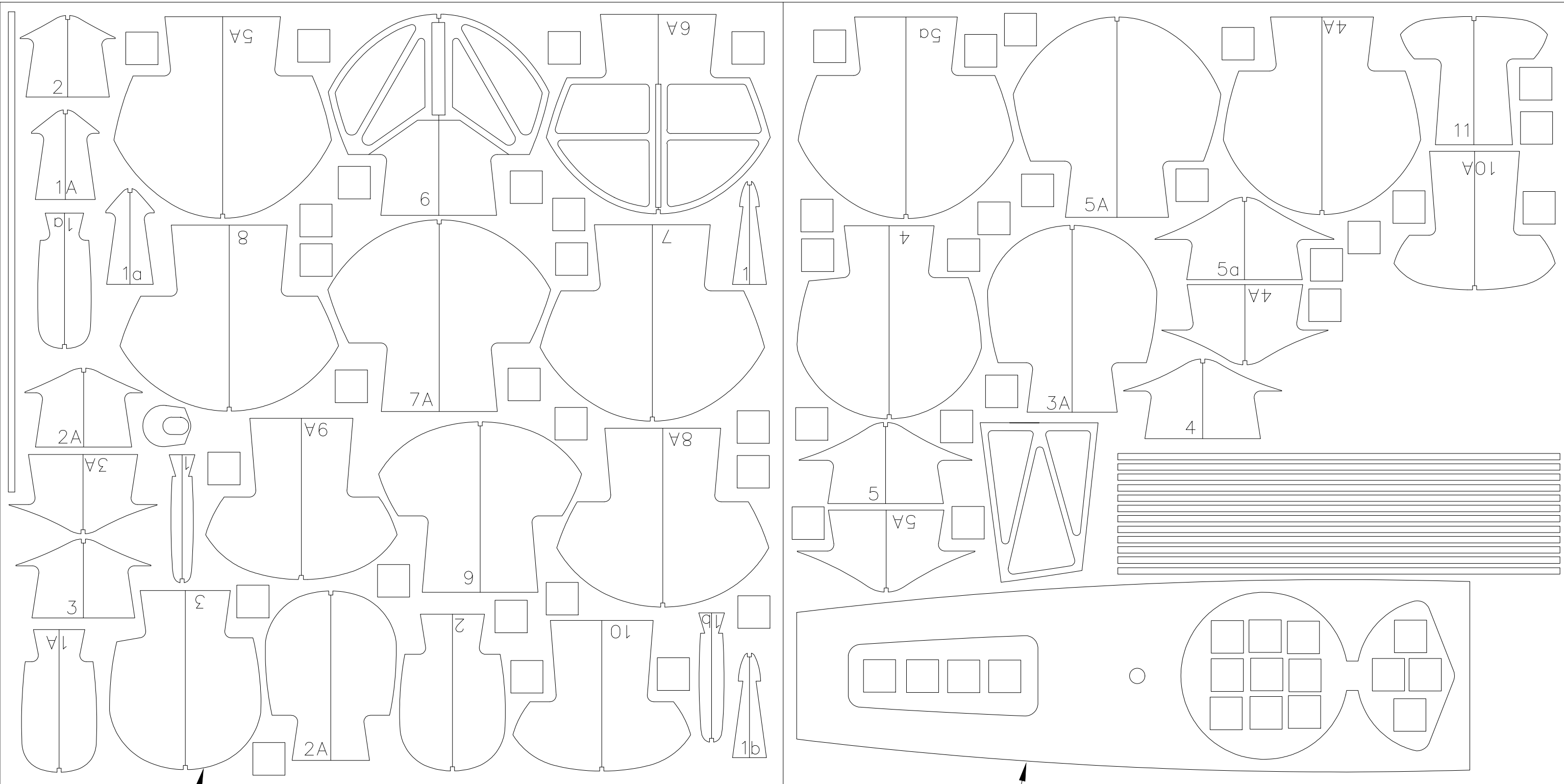
Panacea
International One Meter
Scale 1"=1"

4
5



LINES ARE AT 50MM INTERVALS

FULL SIZE



OFFSET IS 2.5MM

2' SQ 1/8" LIGHT PLY

OVERLAP IS 2MM

TEMPLATES
DXF FILE

Panacea
International One Meter
Scale 1"=3"

5
5