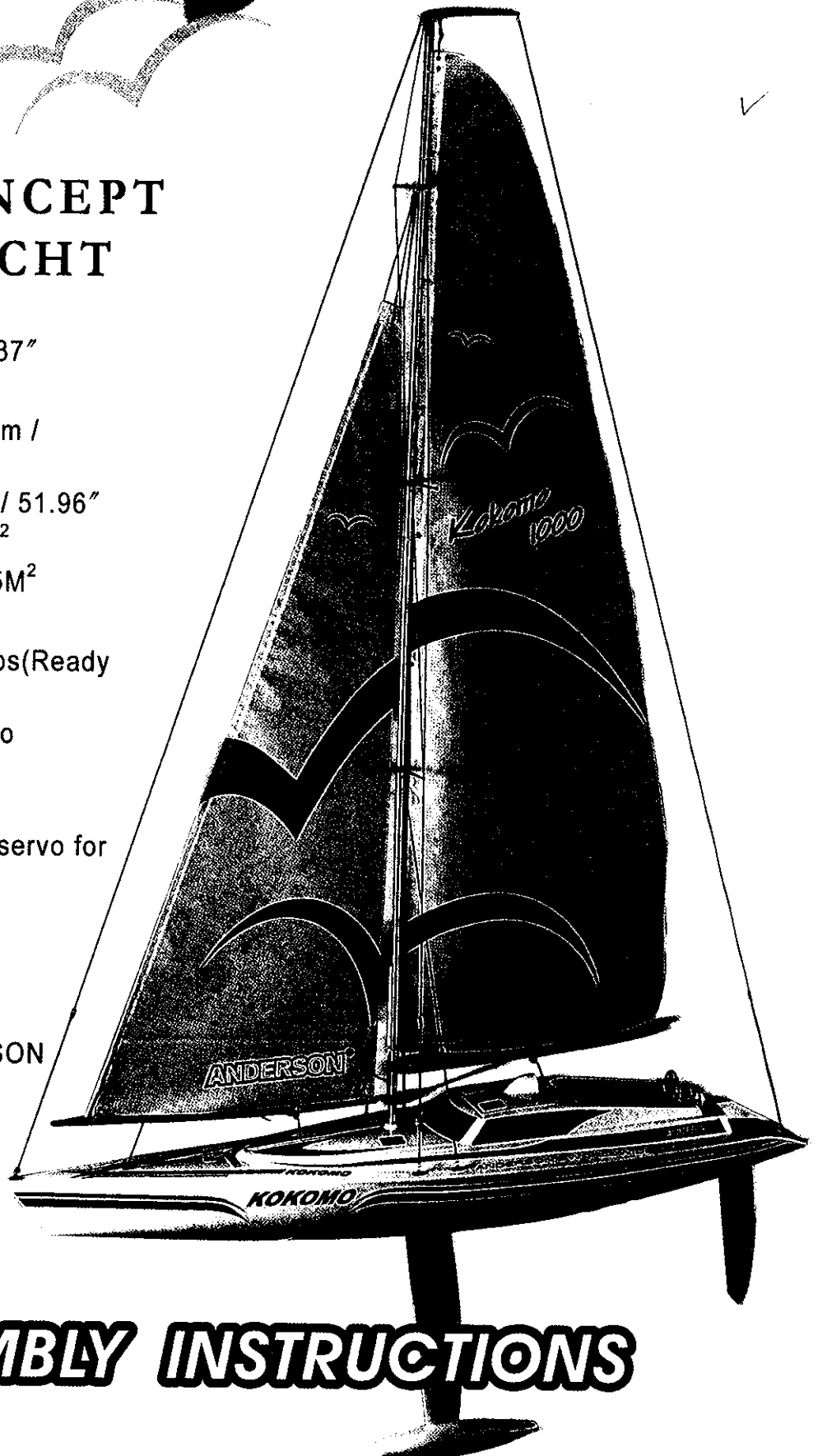


Kokomo 1000

SUPER CONCEPT SALING YACHT

- Length : 1000mm / 39.37"
- Width : 220mm / 8.66"
- Height Overall : 1730mm / 68.11"
- Mast Height : 1320mm / 51.96"
- All Sail Area : 0.4715M²
- Main Sail Area : 0.2995M²
- Jib Sail Area : 0.172M²
- Weight : 3.75kg / 8.33lbs(Ready to Sail)
- Radio : 2 Channel Radio System(not included)
- Three servo required.
- Two servo for sail. One servo for rudder.

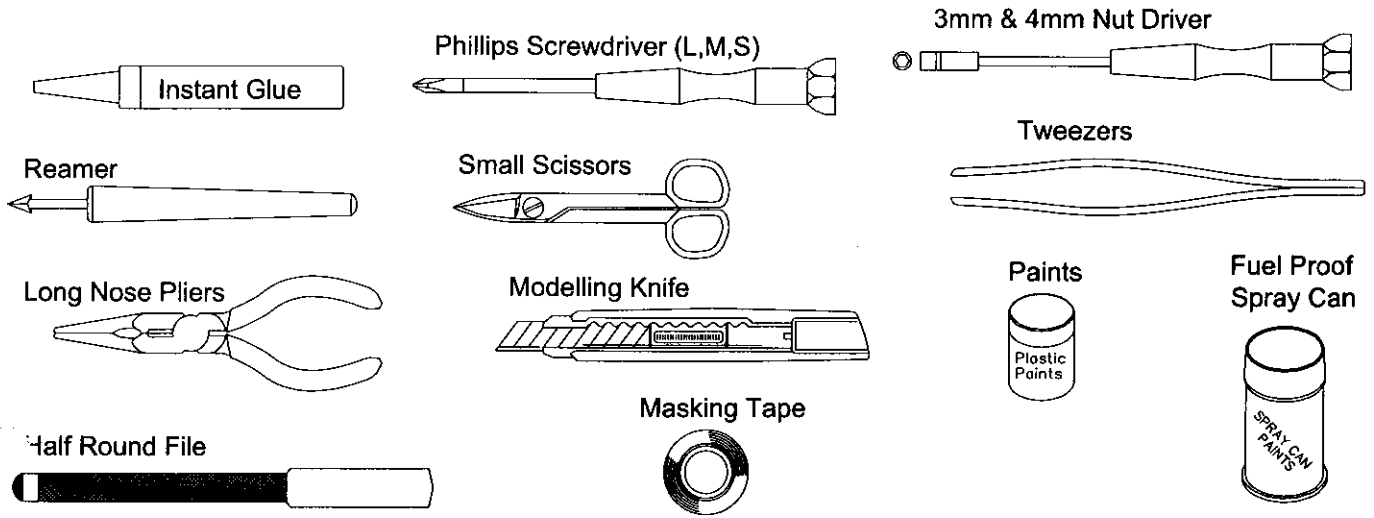
The kokomo 1000,
a special hull developed
utilizing the latest
technology from ANDERSON



ASSEMBLY INSTRUCTIONS

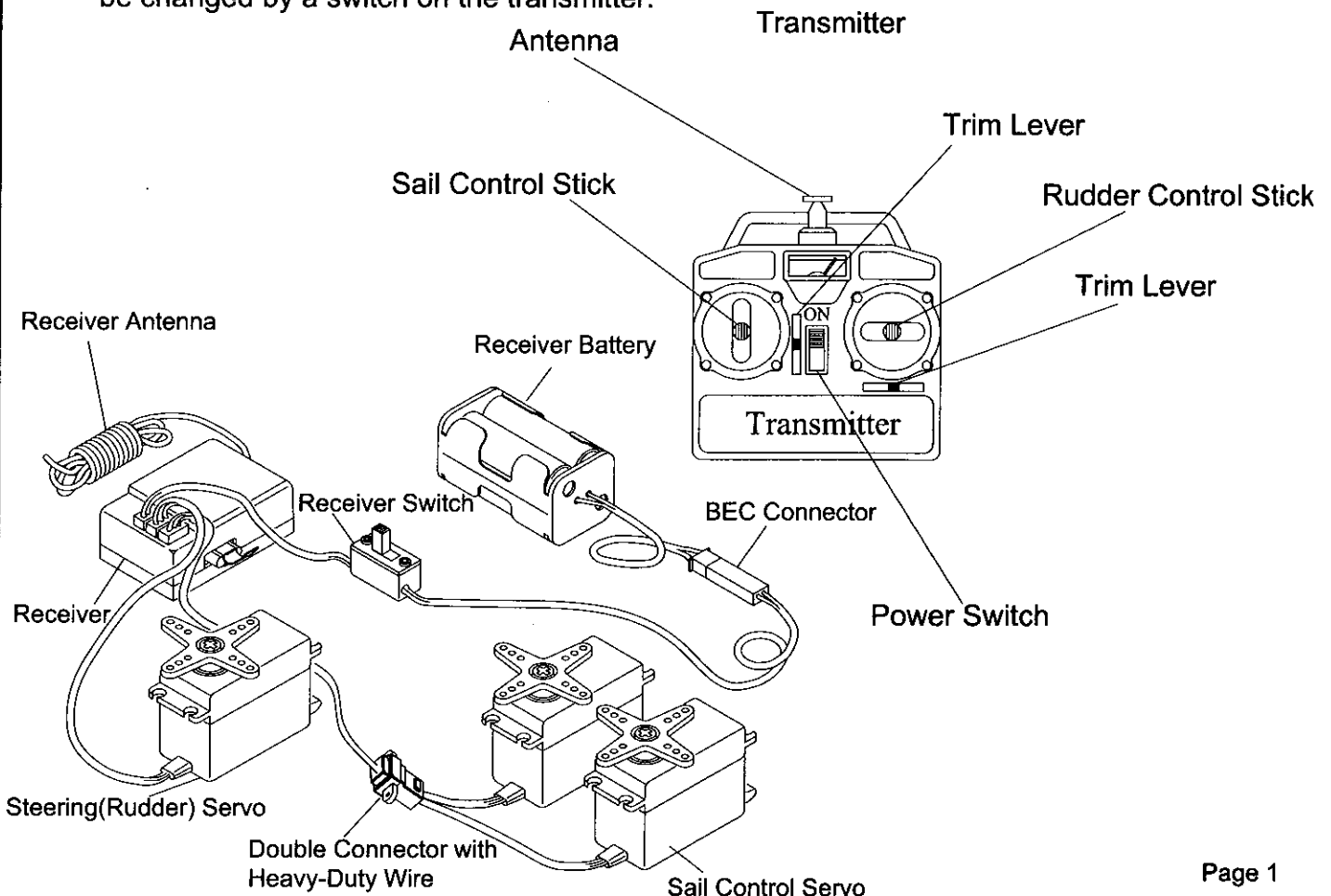
KOKOMO 1000

TOOLS REQUIRED

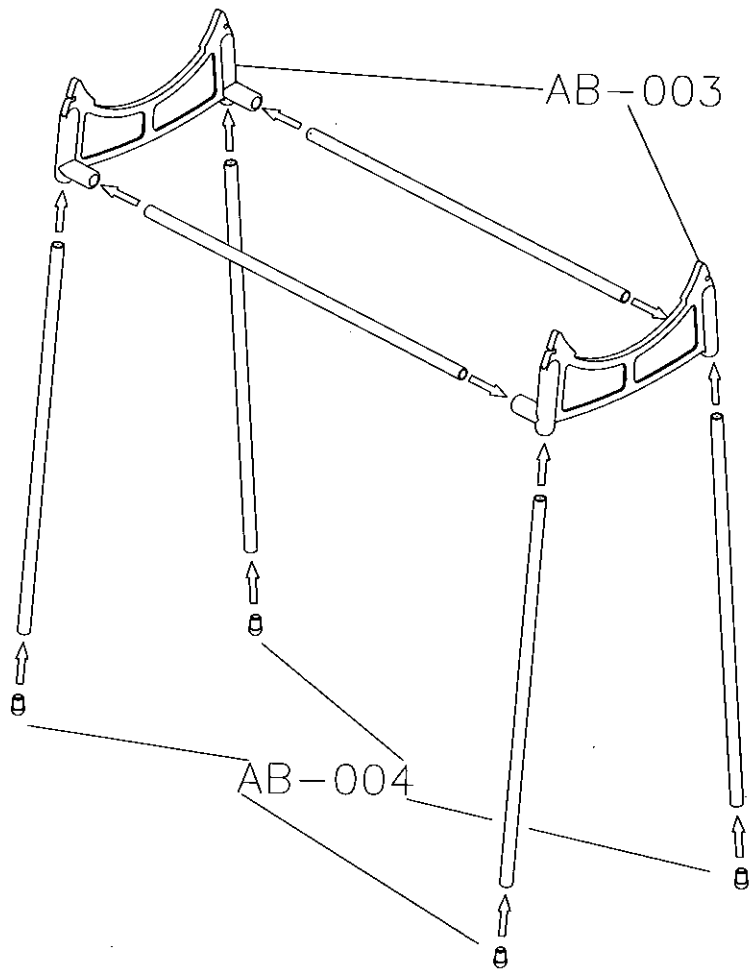


RADIO CONTROL UNIT

Most of 2CH R/C units can be used in this "KOKOMO" boat. The R/C unit which has servo reversing capabilities is better recommended as this allows the directions of servo travel to be changed by a switch on the transmitter.






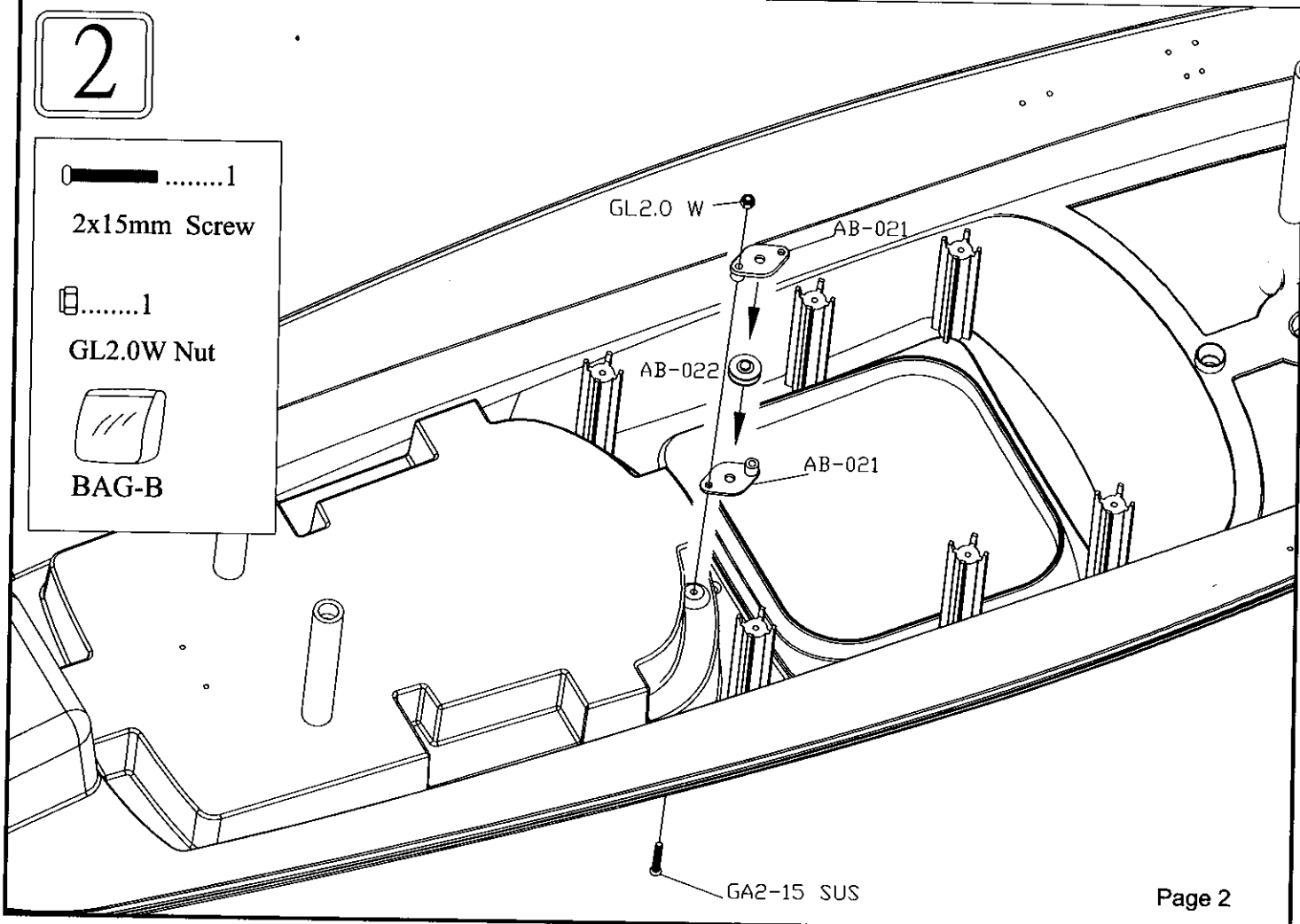
1





Boat Stand Assembly


2

- 1
2x15mm Screw
- 1
GL2.0W Nut
- 
BAG-B





3

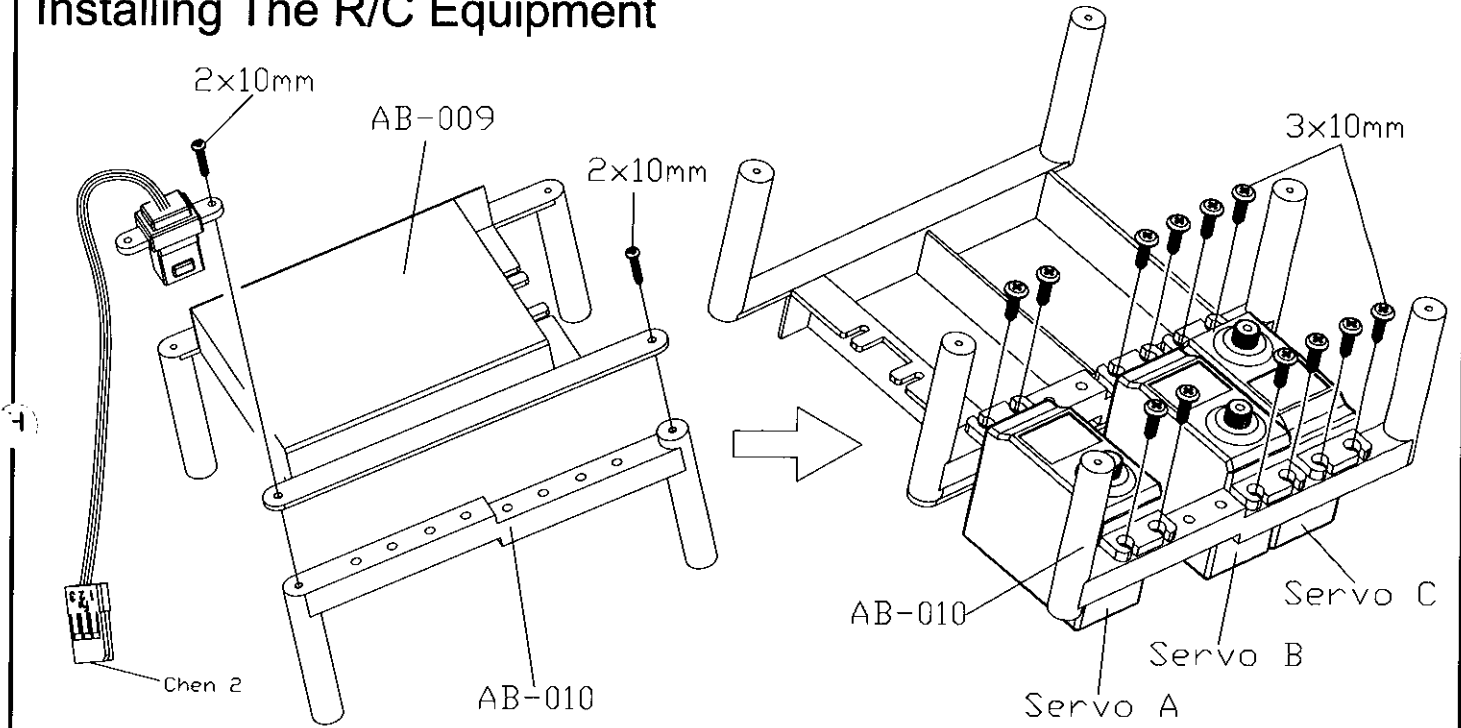
- 4
- 2x10mm TP Screw
- 4
- 2x8mm TP Screw

- 12
- 3x10mm TP Screw

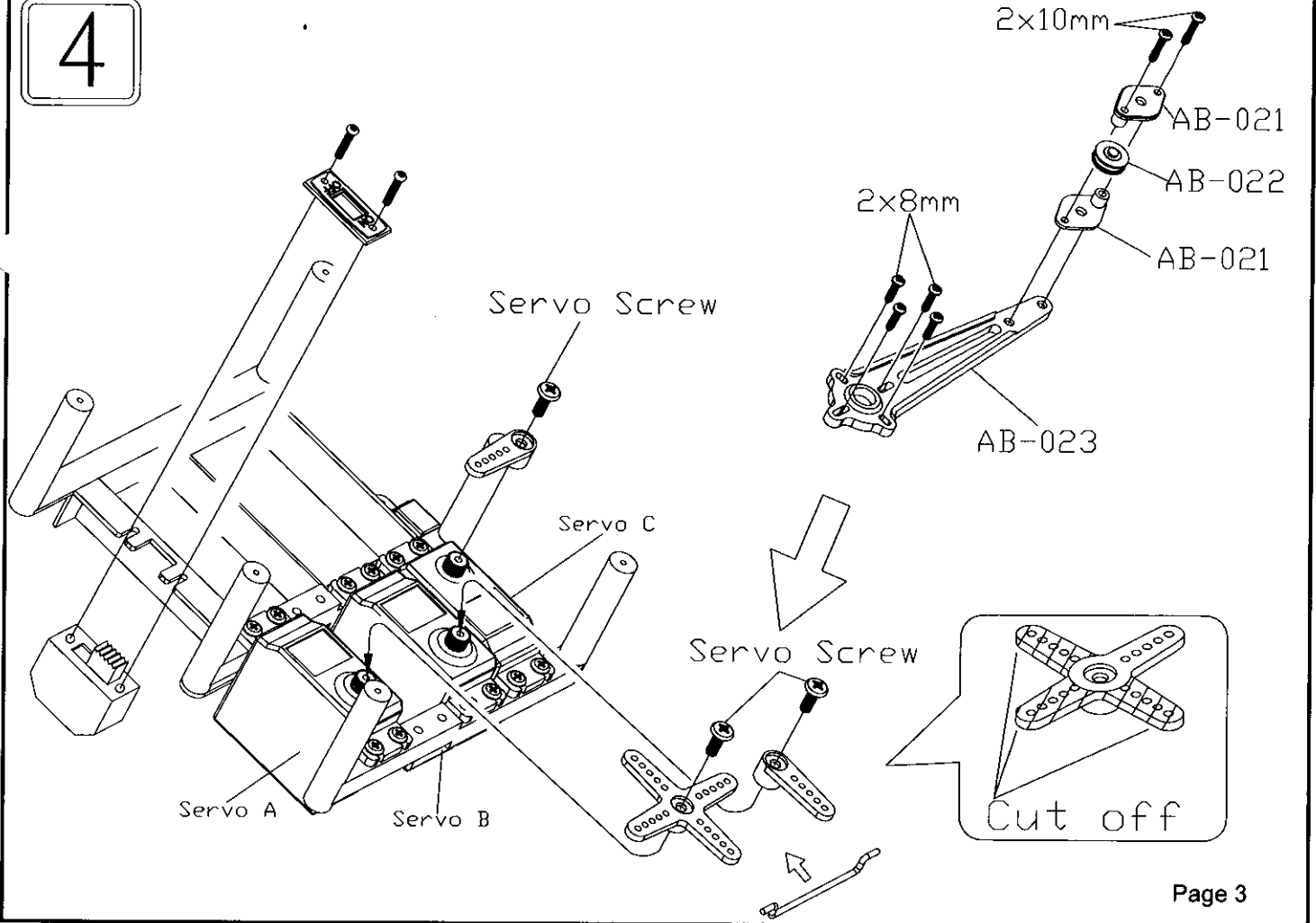
 ..2

-  ..1
- 
- BAG-B

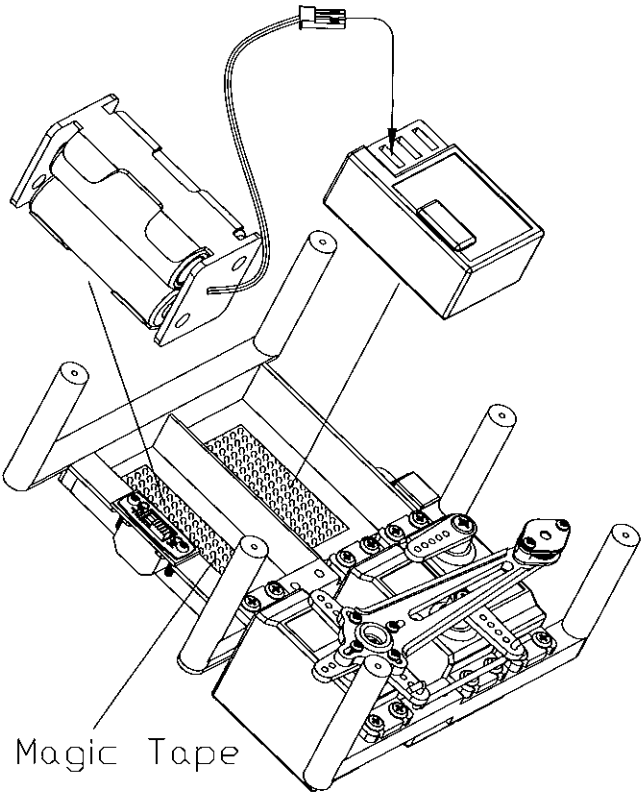
Installing The R/C Equipment



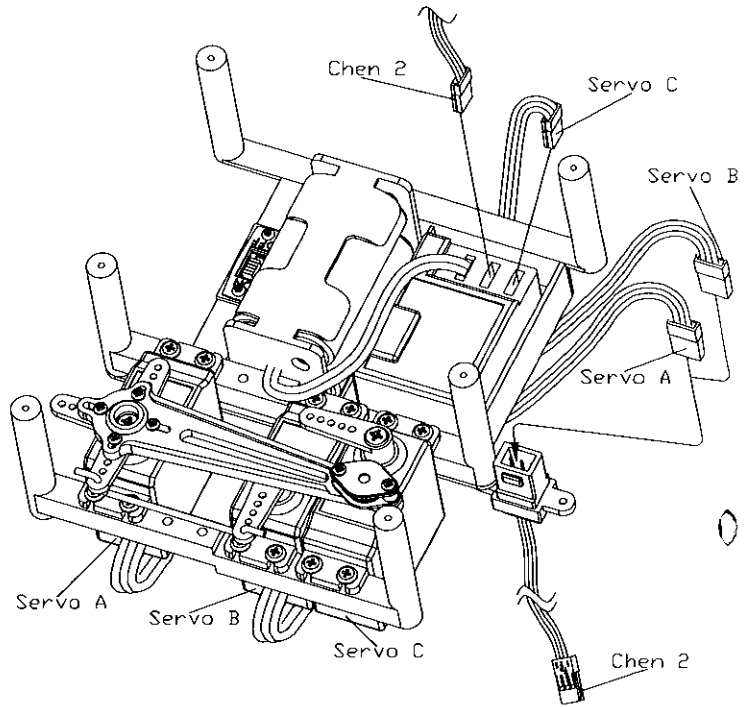
4




5



6

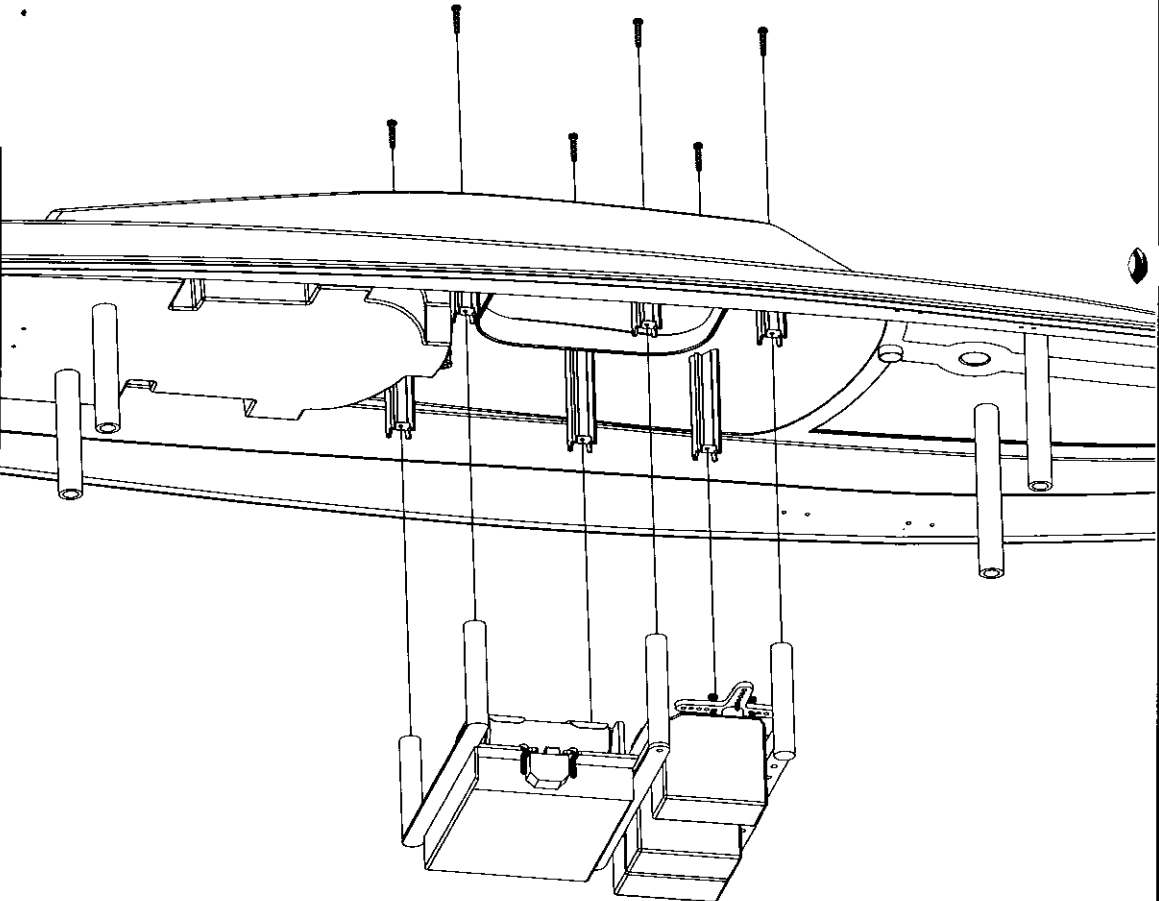


7

6
2x10mm TP Screw



BAG-B



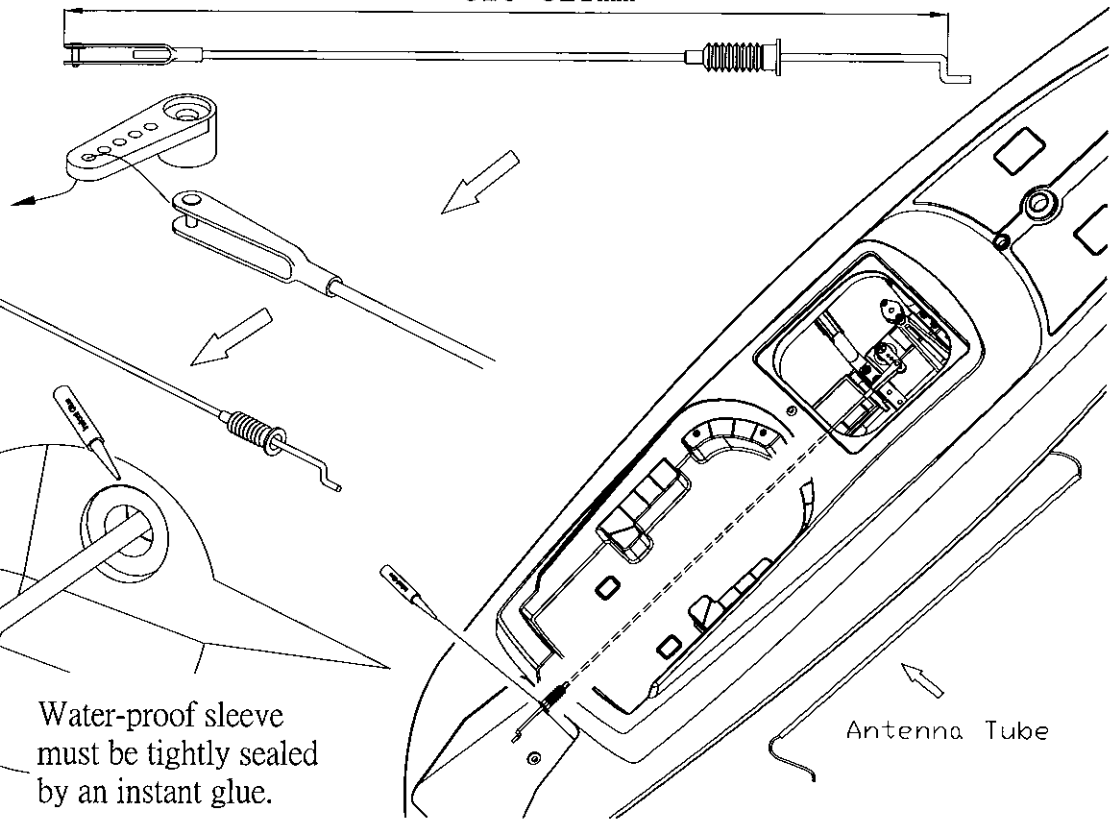
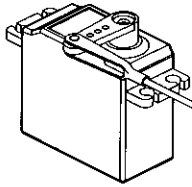
8

Rudder And Steering Rod Assembly

320~321mm



BAG-C



Water-proof sleeve must be tightly sealed by an instant glue.

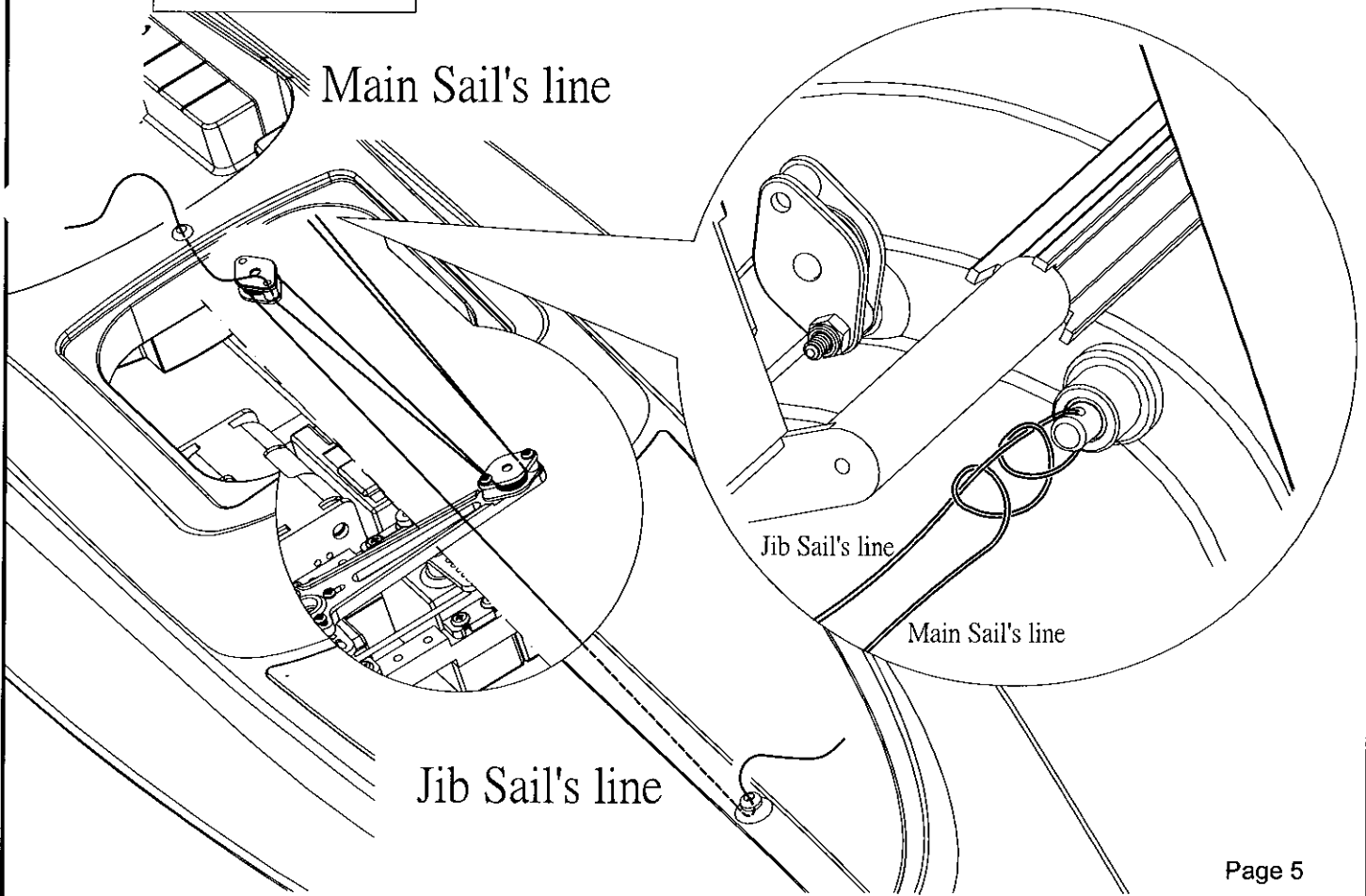
Antenna Tube

9



BAG-C

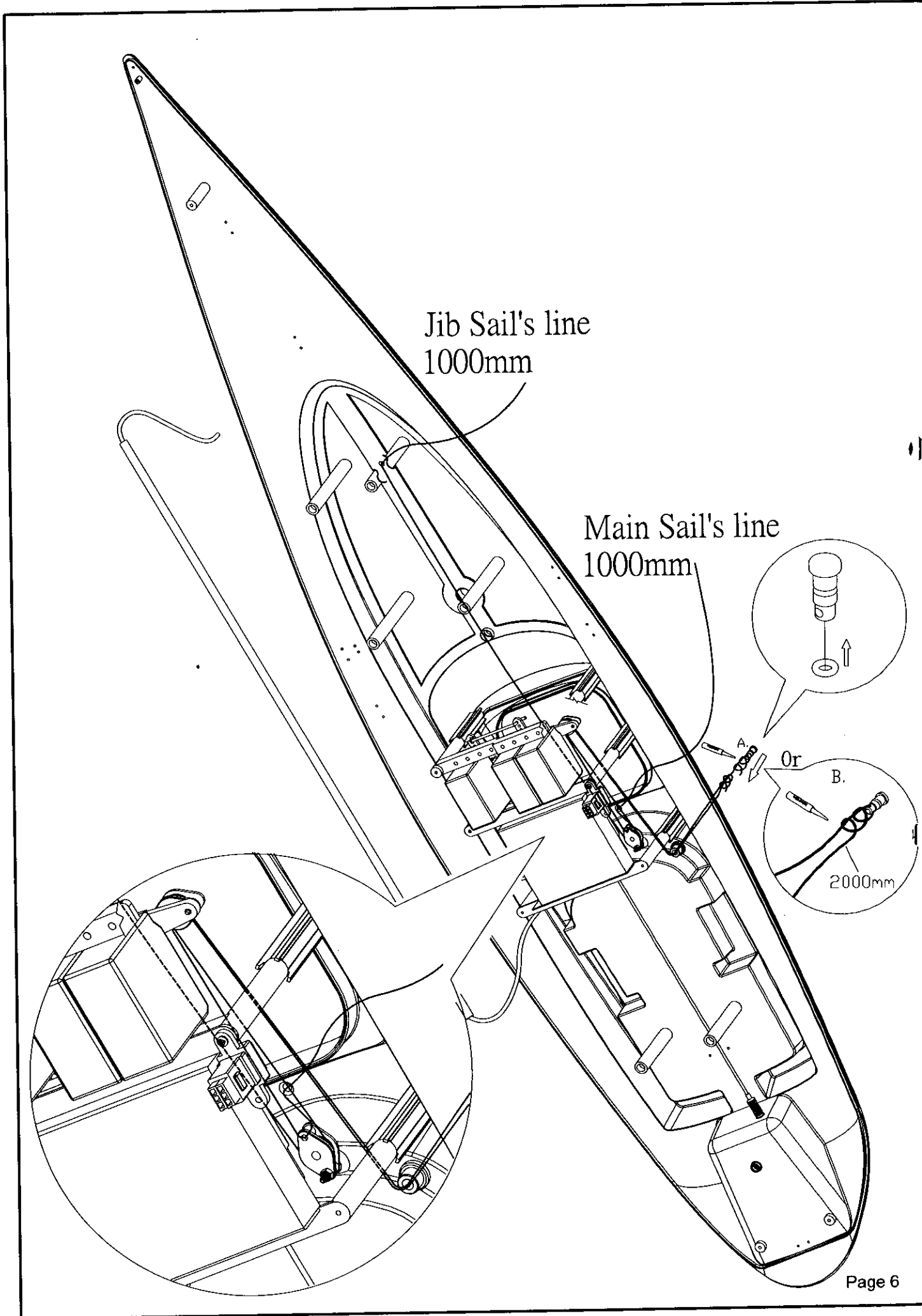
Main Sail's line



Jib Sail's line

Main Sail's line

Jib Sail's line



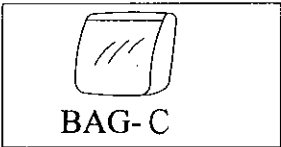
Jib Sail's line
1000mm

Main Sail's line
1000mm

Or
B.

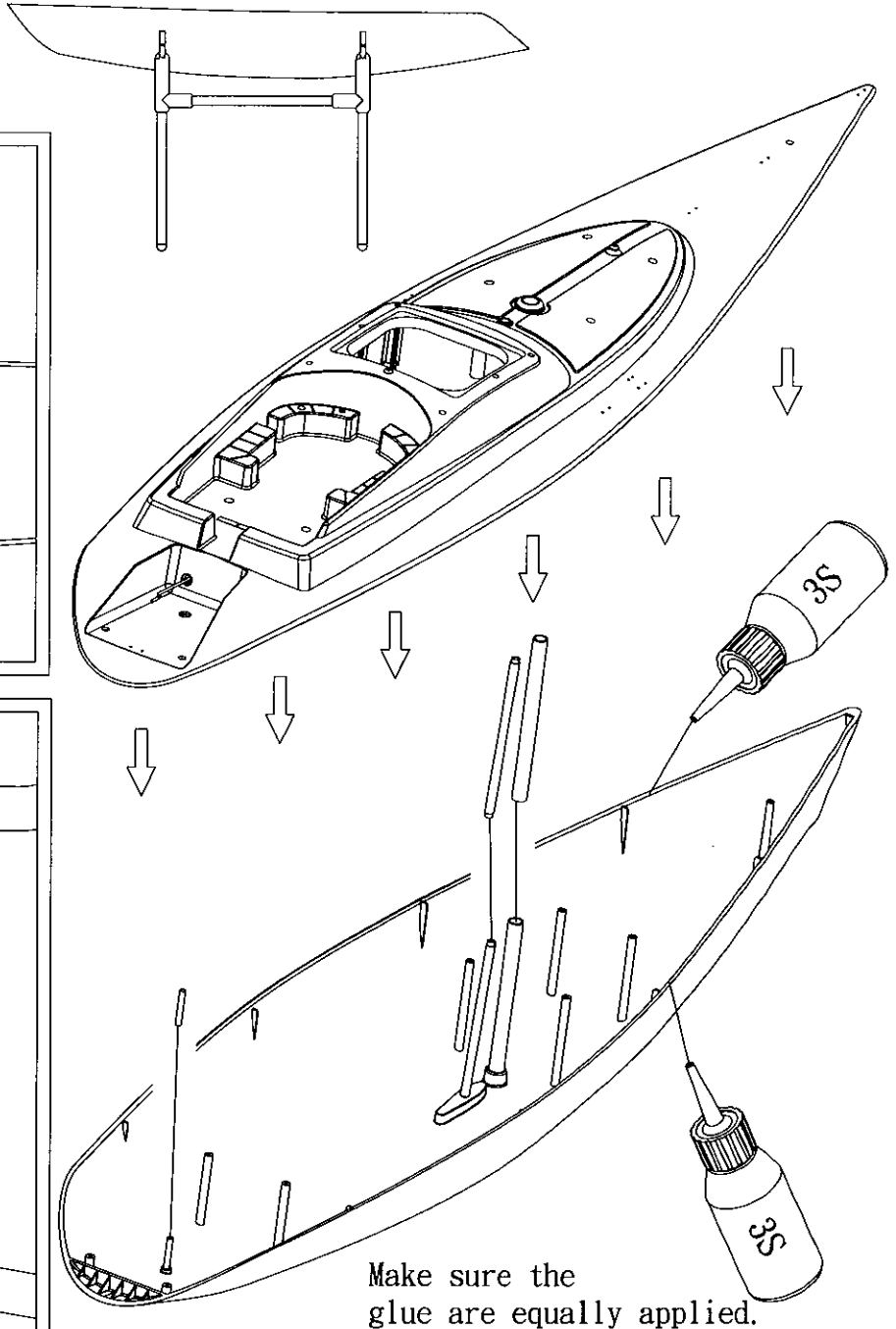
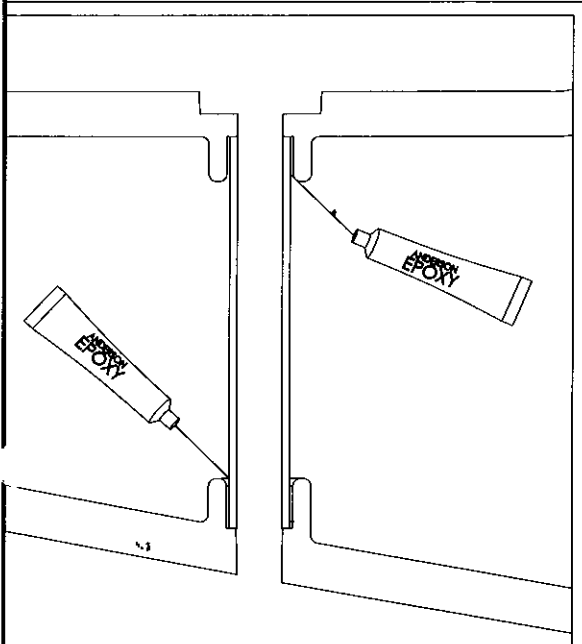
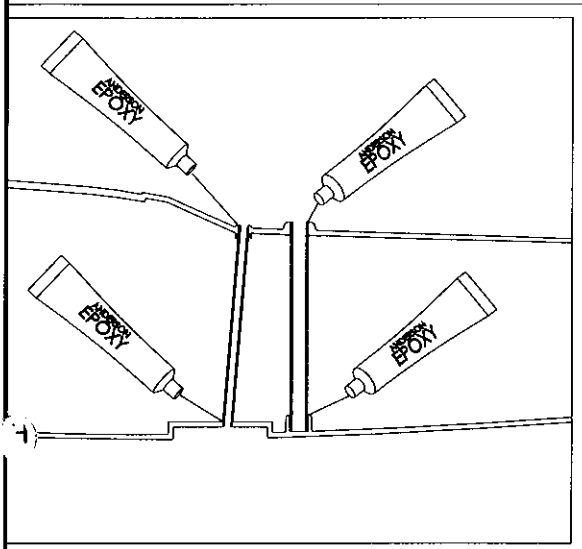
2000mm

10



Place the hull flatly, then pour the glue into the slot of the hull edge.

Hull Assembly



Make sure the glue are equally applied.

11

Be sure the glue will not overflow this line.

Full filled 3S glue into the slot of the hull edge. Slightly pressed for connecting two parts together, be sure the hull post and the deck post are perfectly joint.

