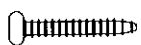
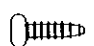
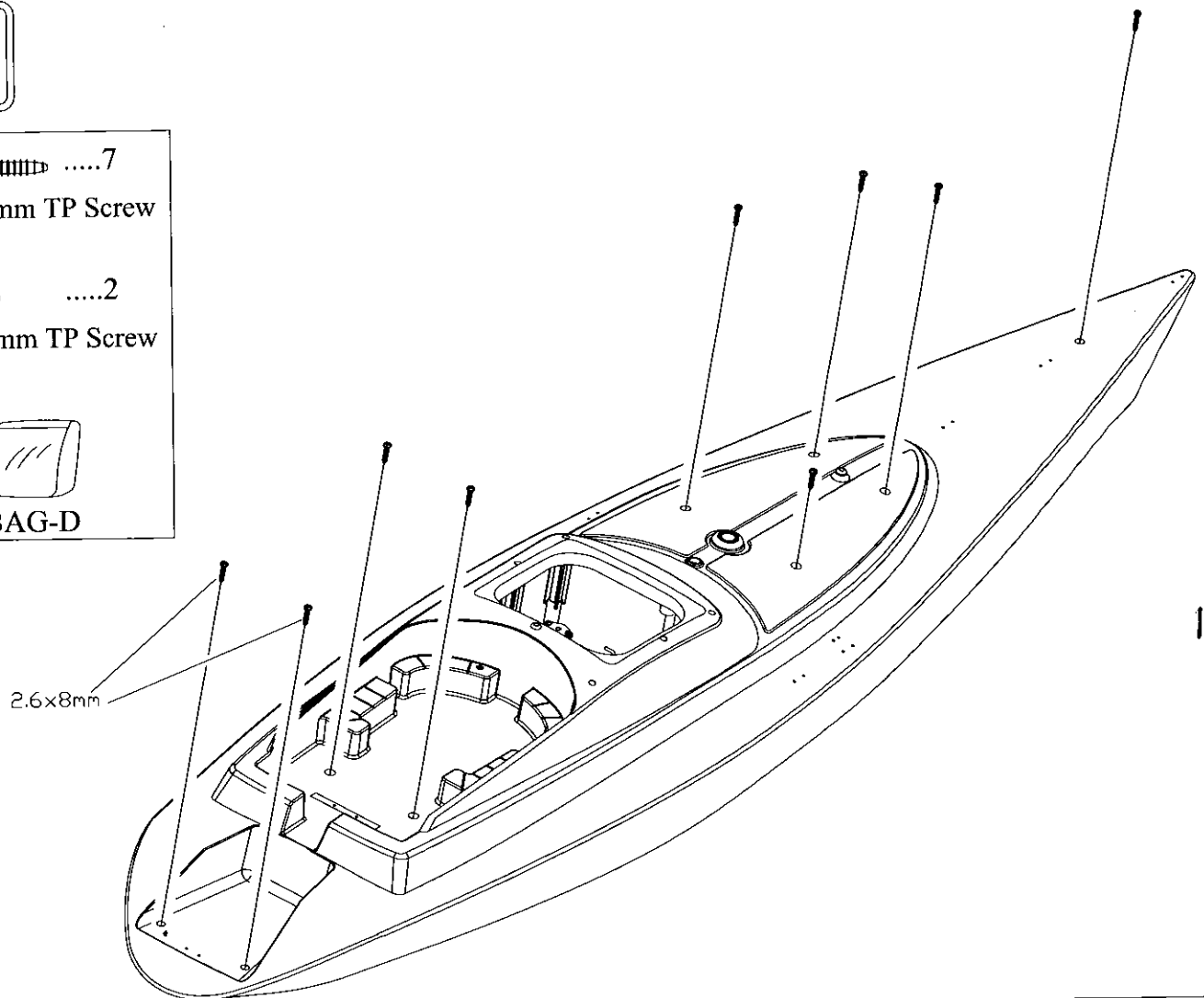


12

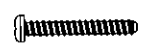
7
2.6x12mm TP Screw


2
2.6x8mm TP Screw

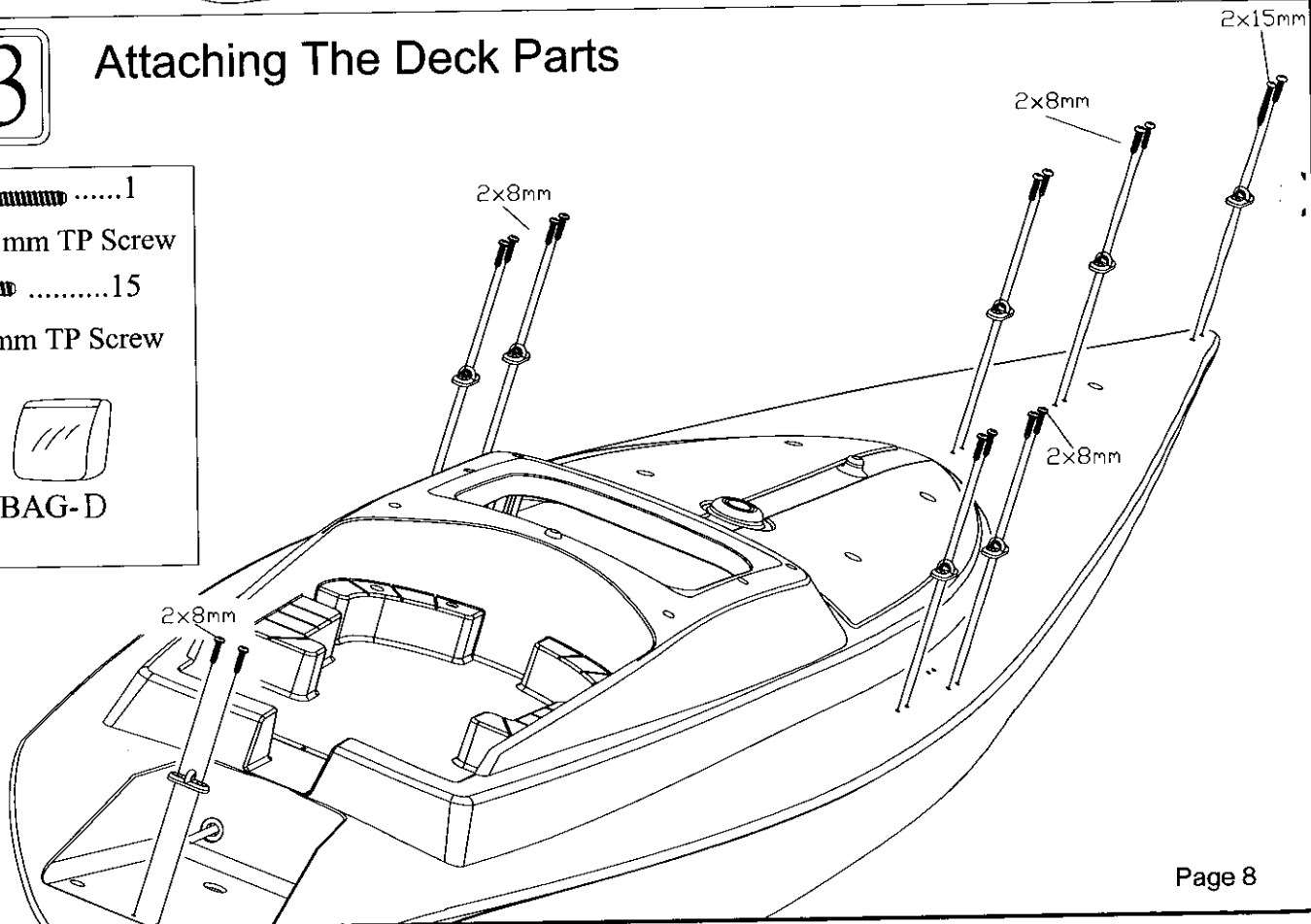


13


Attaching The Deck Parts

1
2x15mm TP Screw

15
2x8mm TP Screw

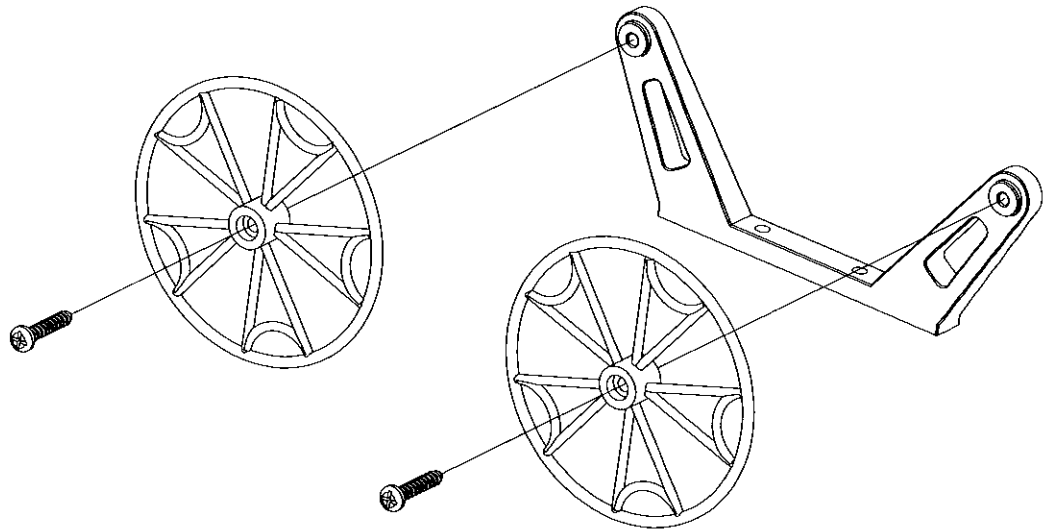


14

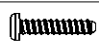
2
2x10mm TP Screw



BAG-D

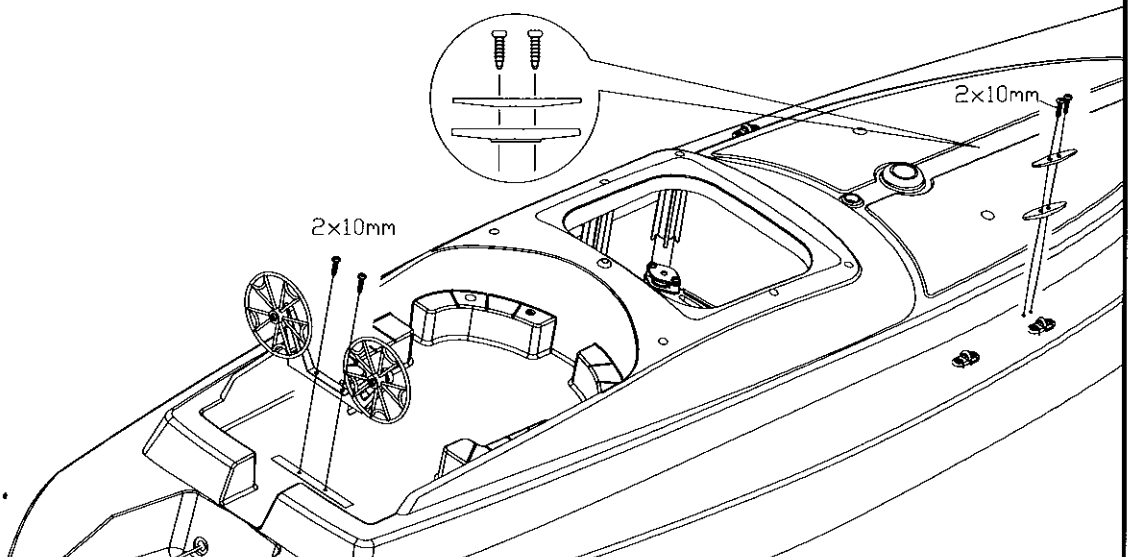


15



4
2x10mm TP Screw




BAG-D



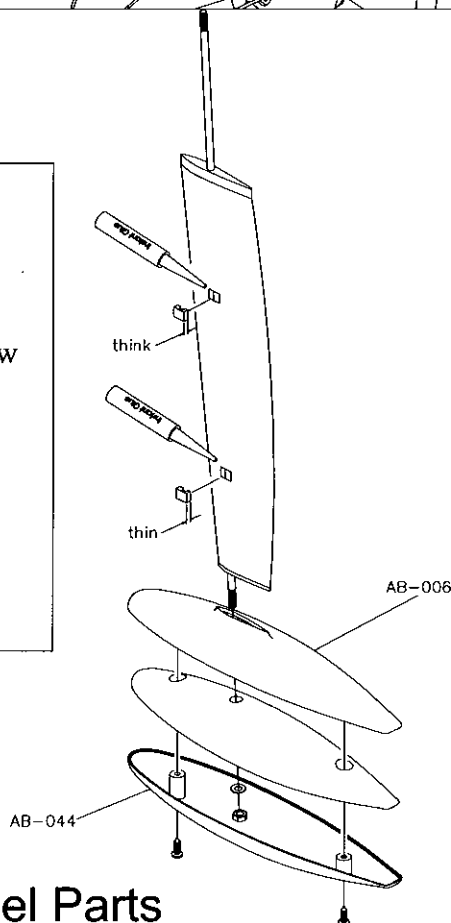
16

1
GK4 mm Nut
2
3x10mm TP Screw

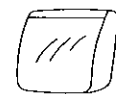
1
GM4SUS Washer



BAG-E

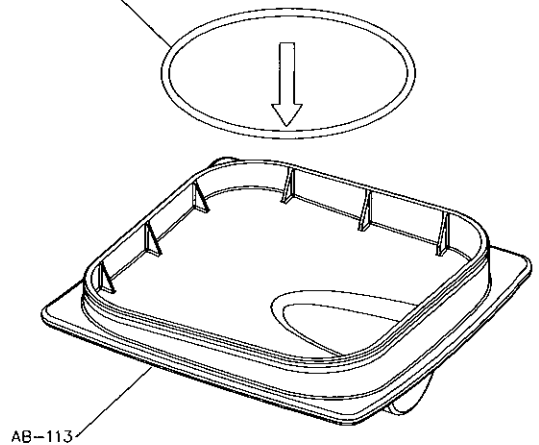


17



BAG-E

FD-70X1.9



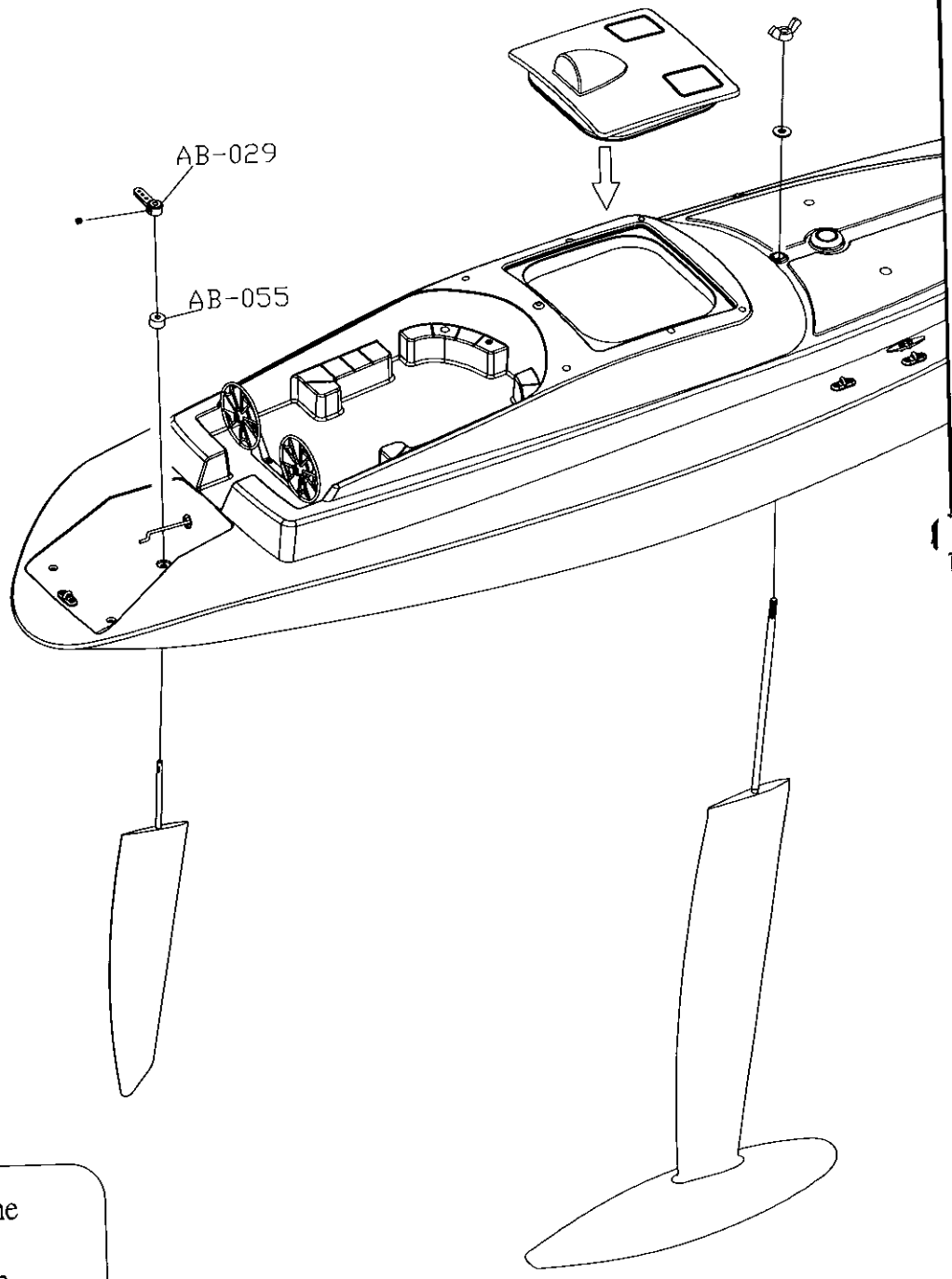
18

■1
GD3-3SUS Screw

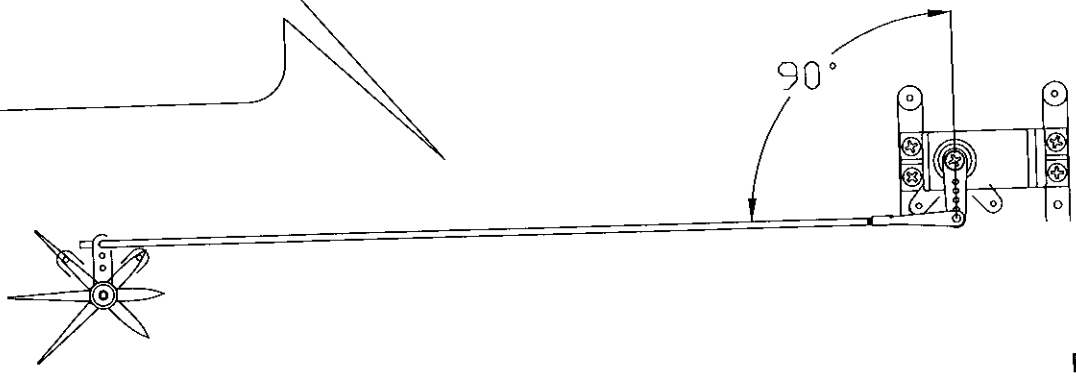
○1
GM4SUS Washer

.....1
GZK4SUS Nut

BAG-E

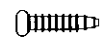
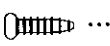



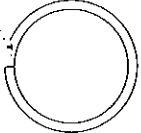
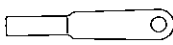




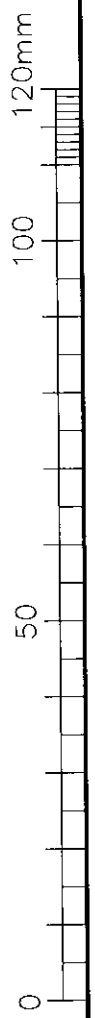
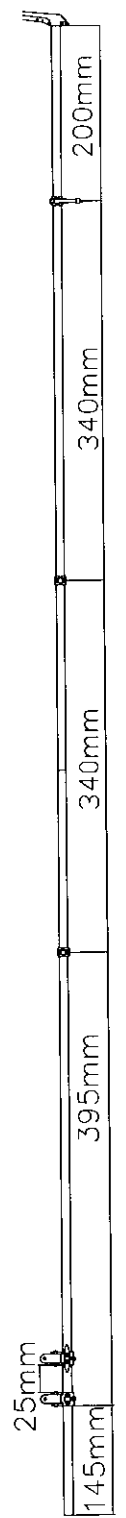
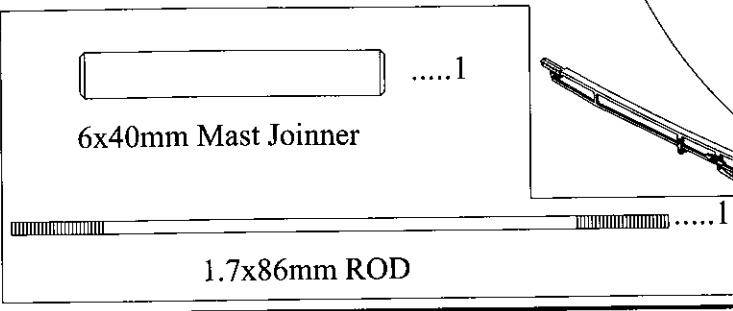
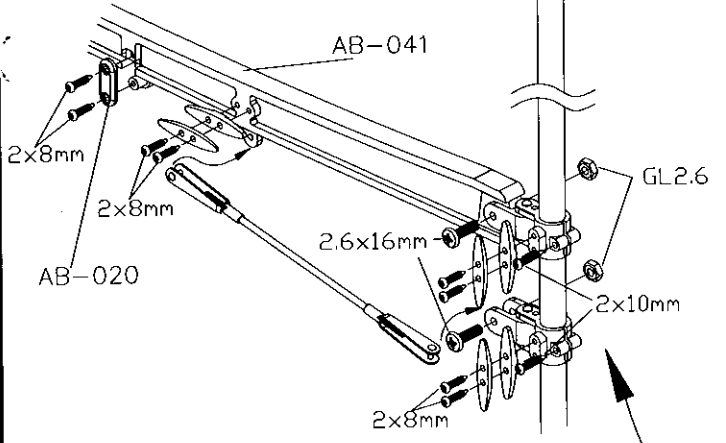
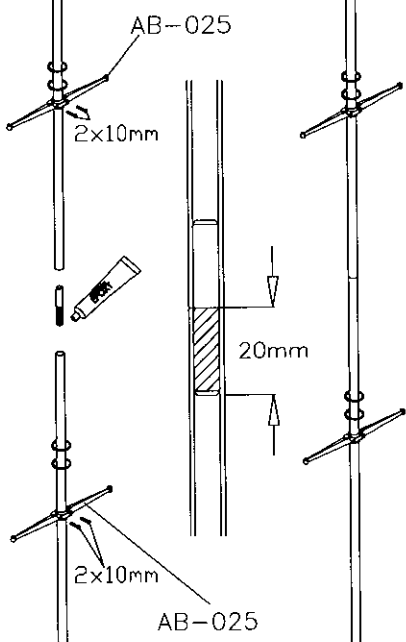
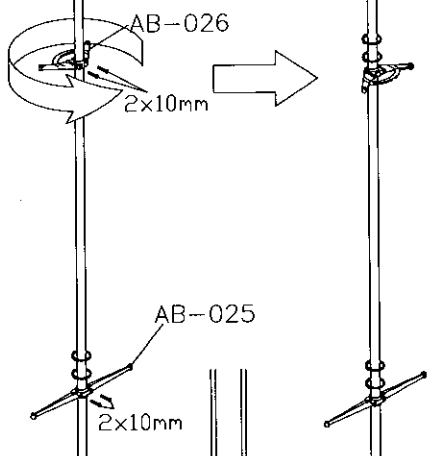
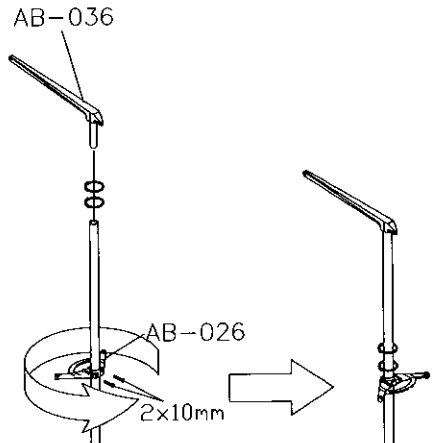
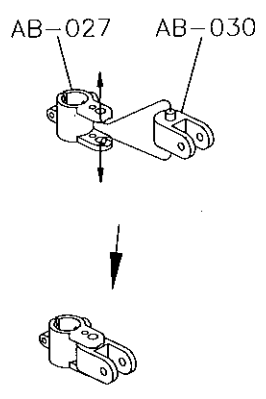
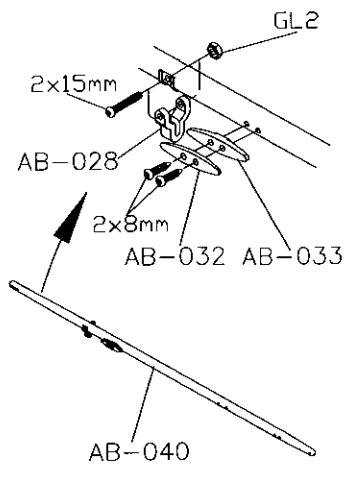
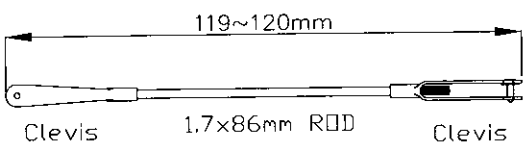
For neutral position ,the angle of the servo arm must be in 90 direction with the push rod .



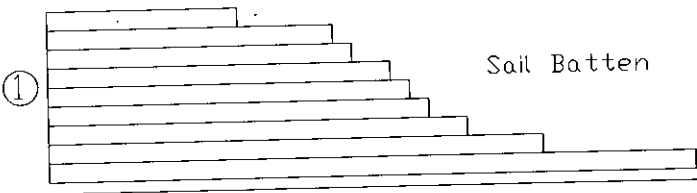
19

Mast Assembly

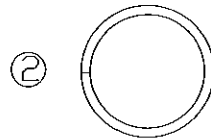
- 8
- 2x10mm TP Screw
- 10
- 2x8mm TP Screw
- 2
- 2.6x16mm Screw
- 1
- 2x15mm Screw
- 1
- GL2 Nylon Nut
- 12
- Sail Hook
- 2
- Clevis
- 2
- GL2.6 Nylon Nut
-  BAG-F



20

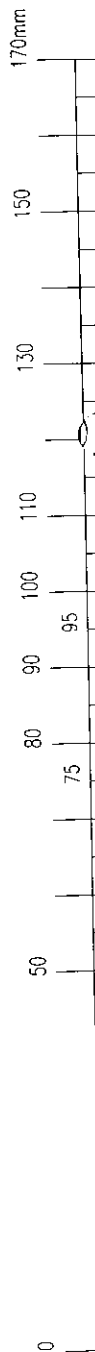
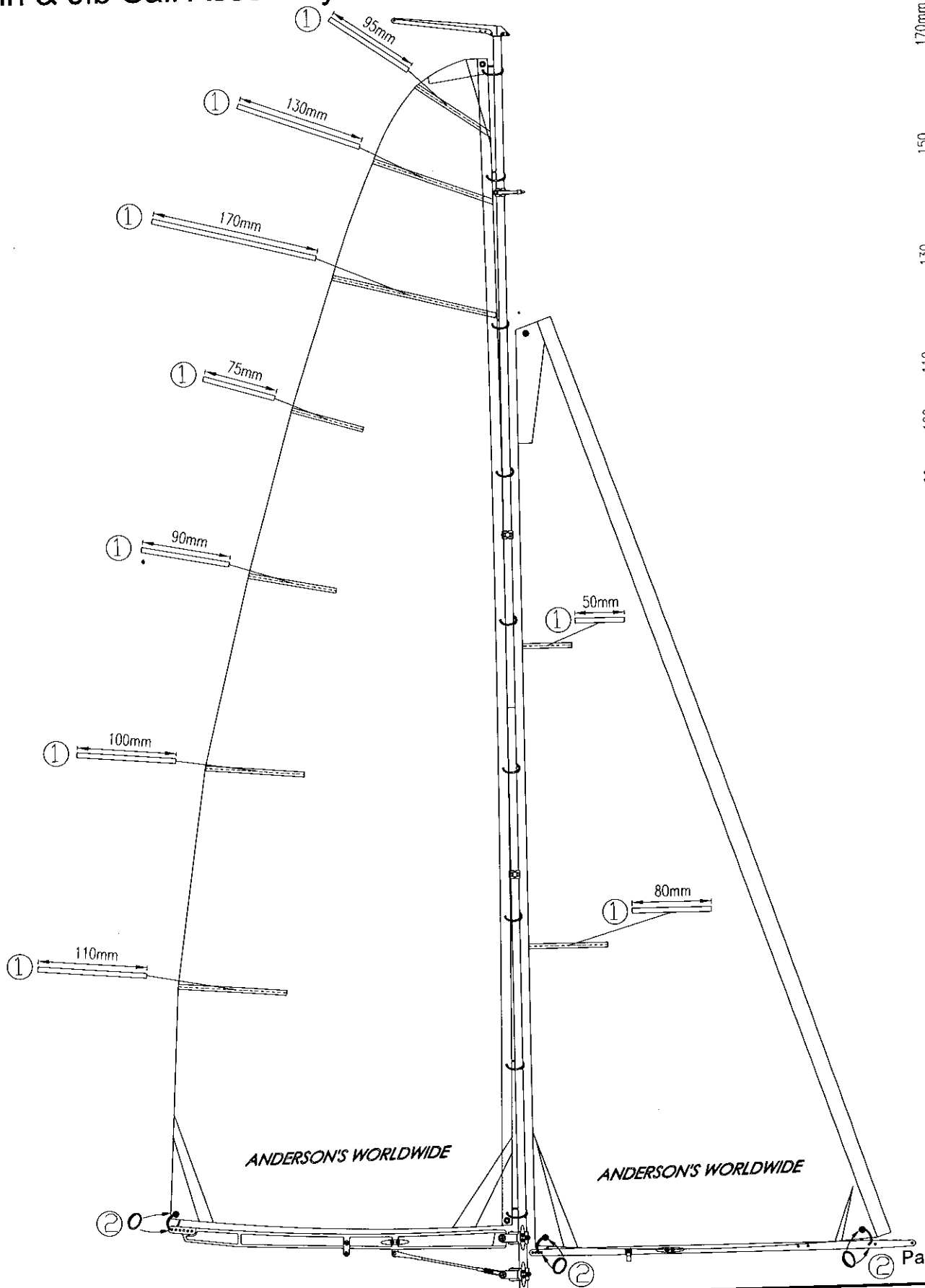


Sail Batten



Rough Ring & Sail Hook

Main & Jib Sail Assembly

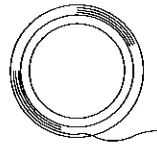


ANDERSON'S WORLDWIDE

ANDERSON'S WORLDWIDE

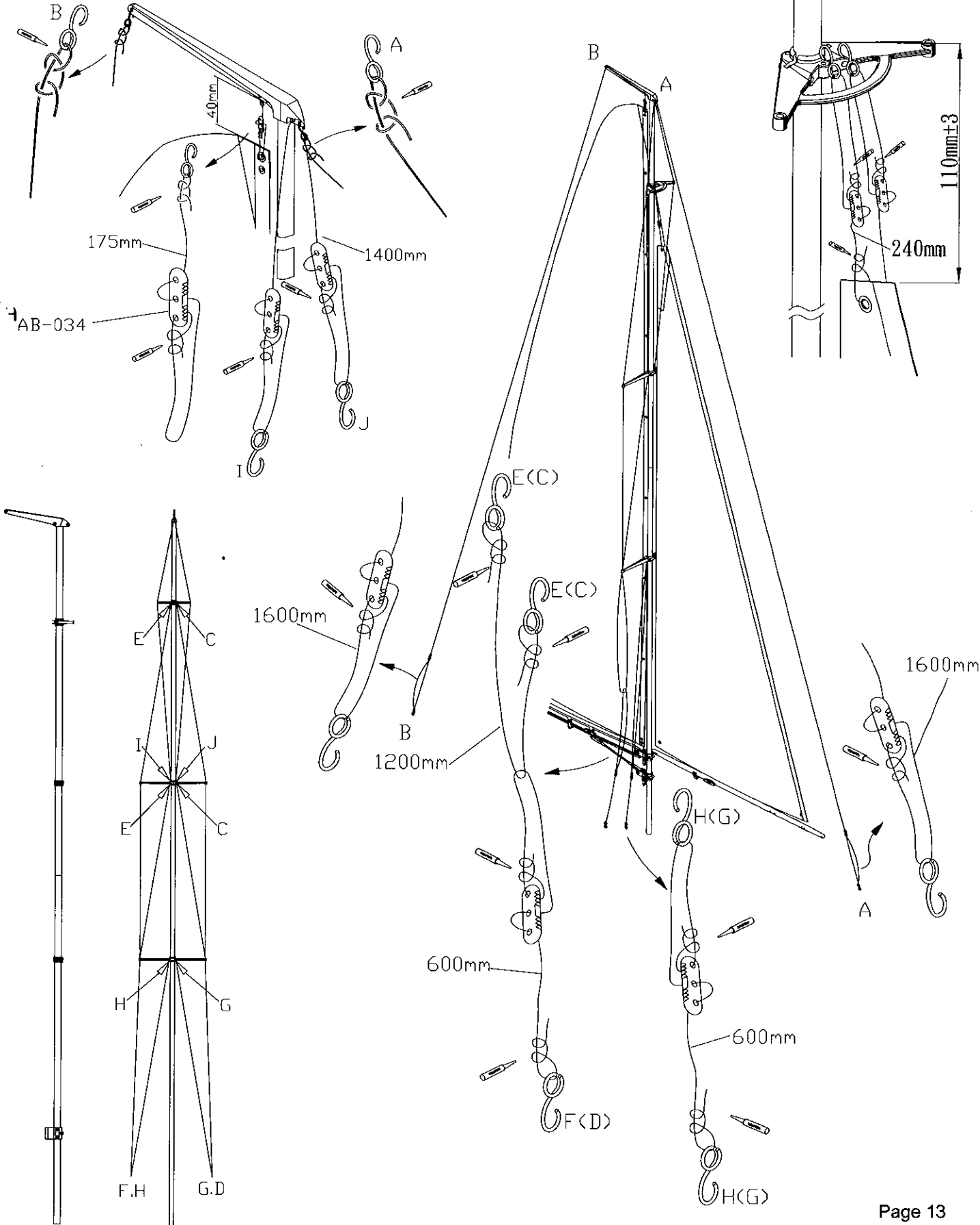
21

① Stay Hook ②



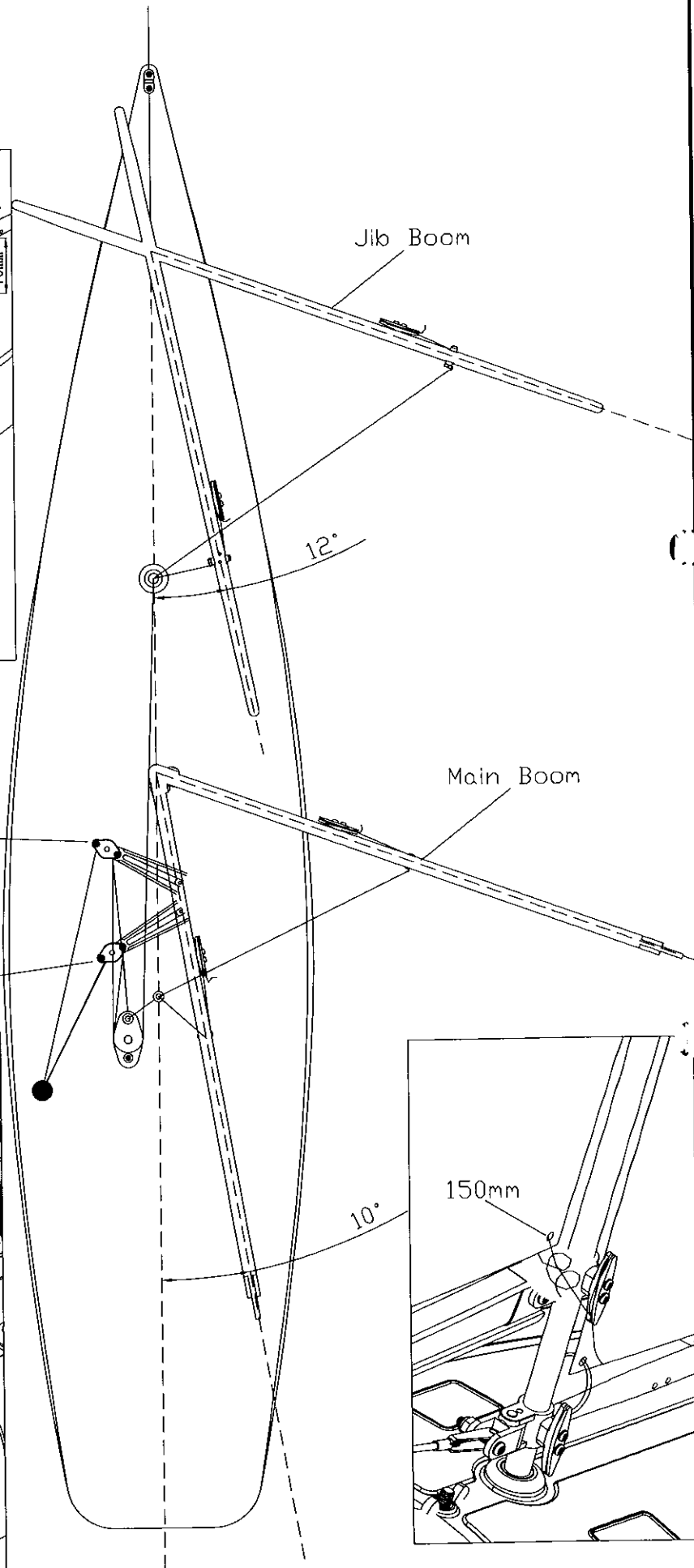
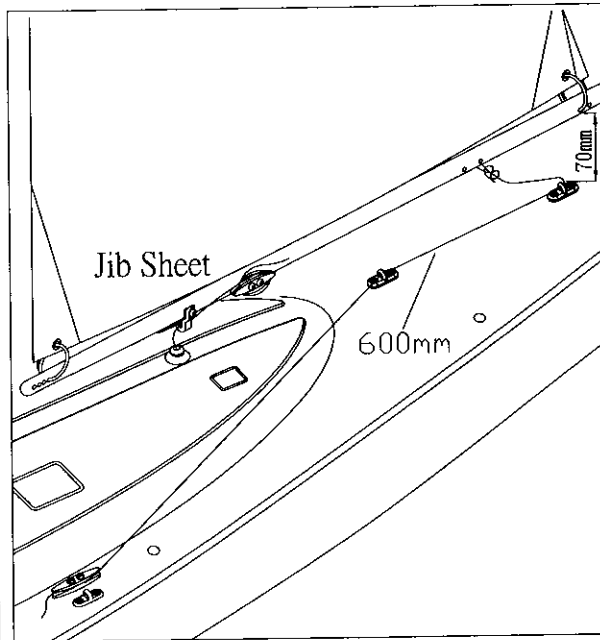
Nylon Rigging Line

Installing The Sails And Rigs



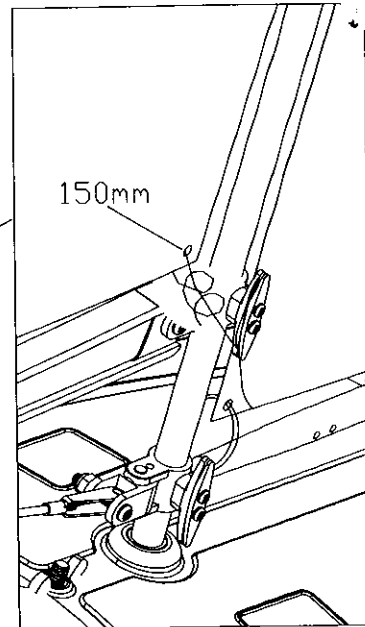
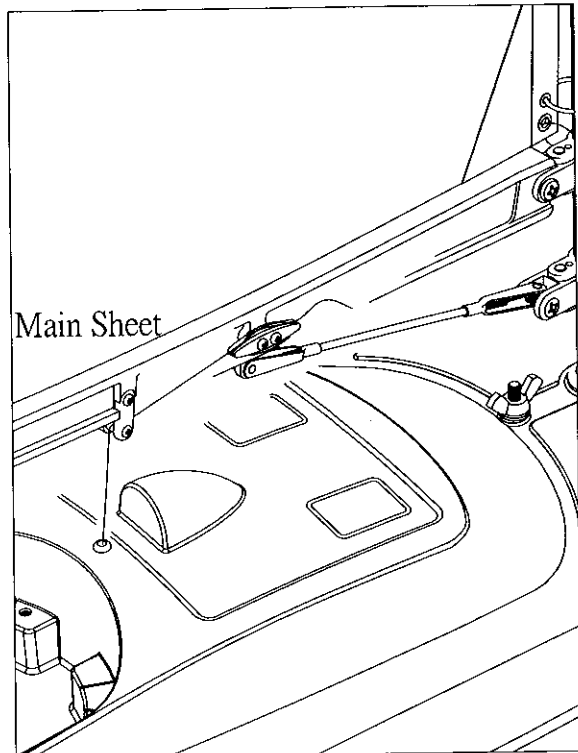
22

Adjusting The Sail



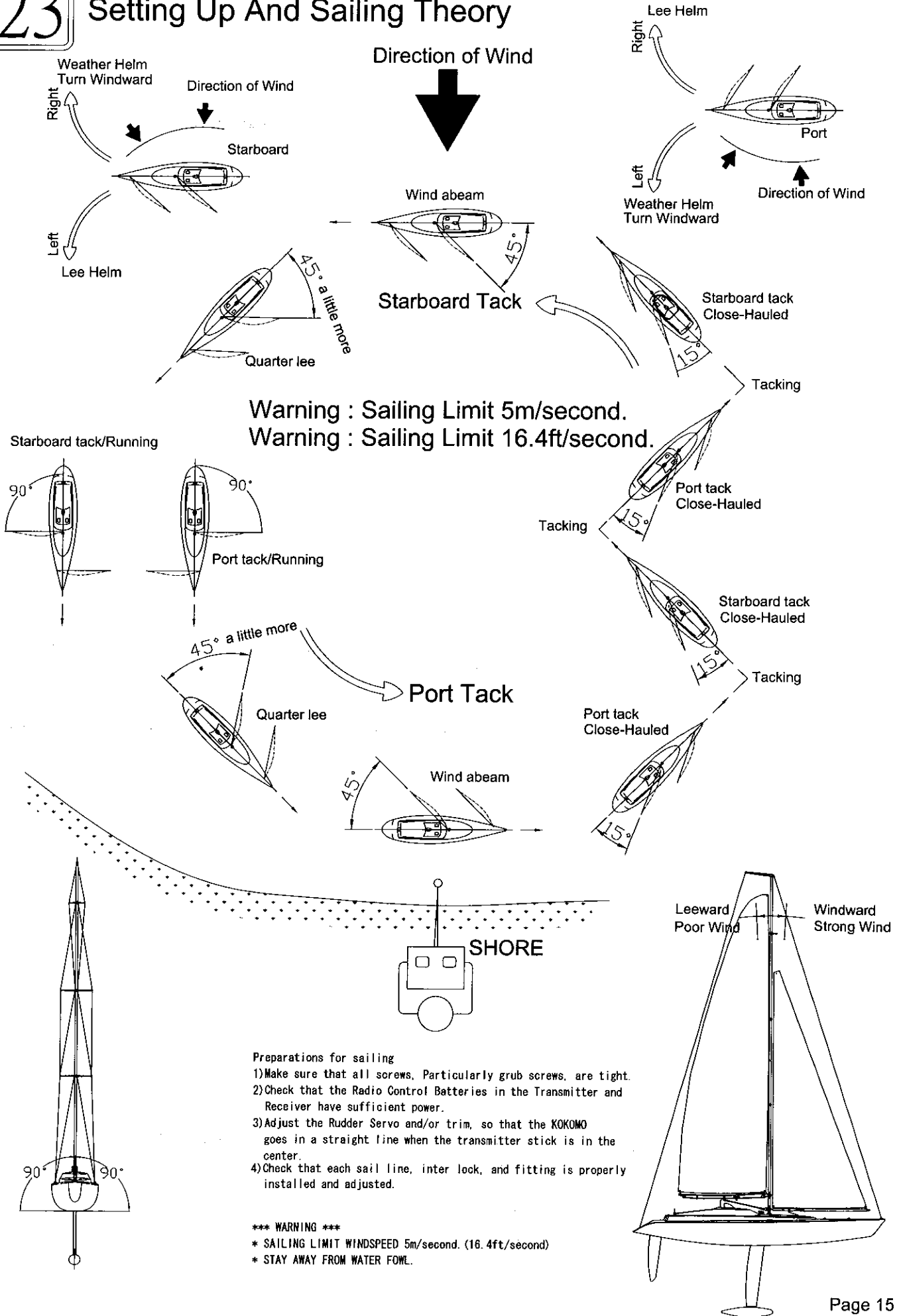
Sail Winch Stick in "DOWN" and Trim Lever Down ---- Position

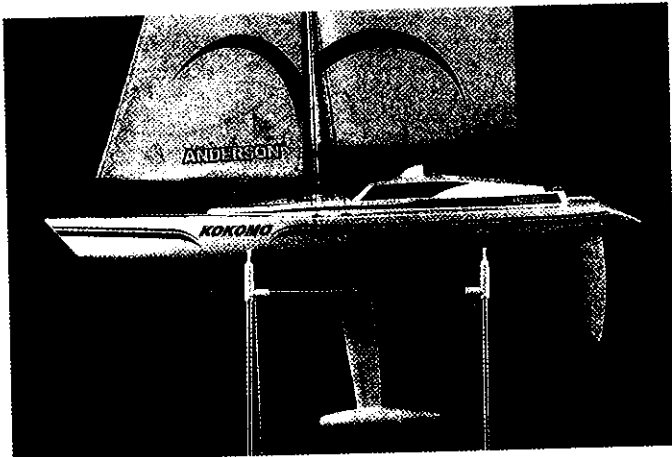
Sail Winch Stick in "UP" and Trim Lever Up Position



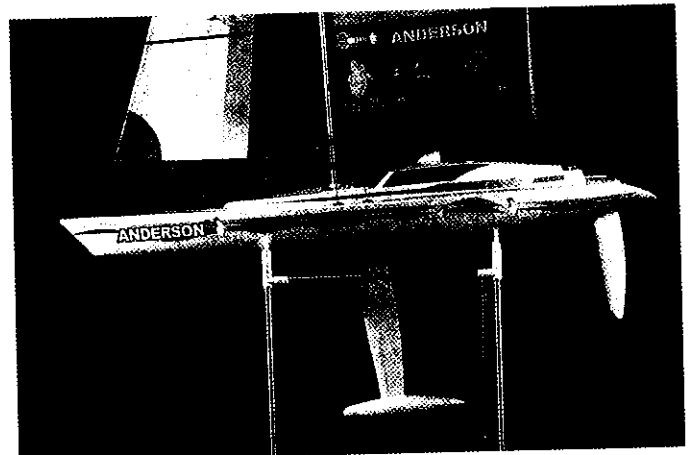
23

Setting Up And Sailing Theory

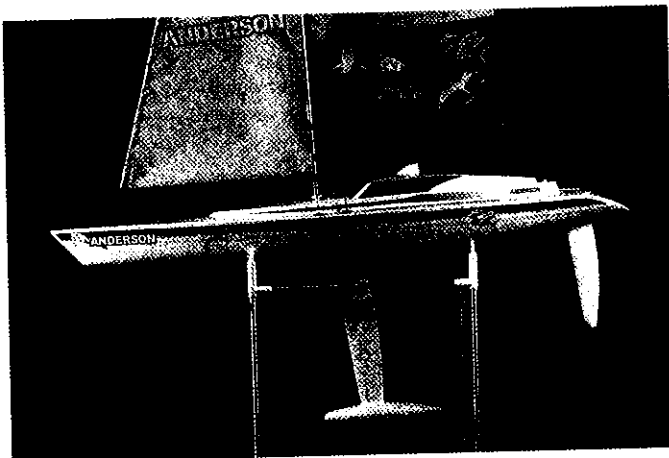




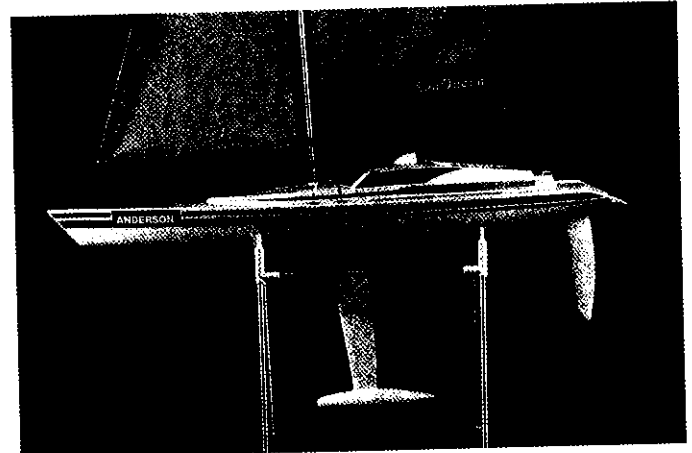
Kokomo 1000 Decals Layout
Decals layout



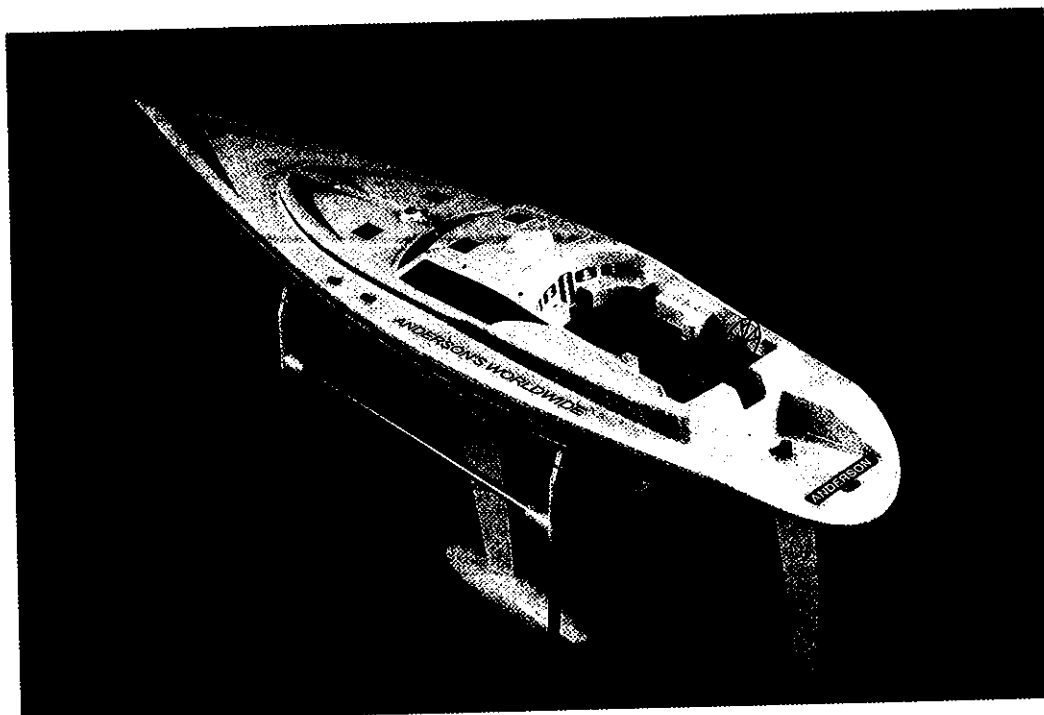
NZL THAM. Decals layout
Decals layout



USA TEAM Decals Layout
Decals layout



SUI THAM . Decal Layout
Decals layout



Deck Decals layout

